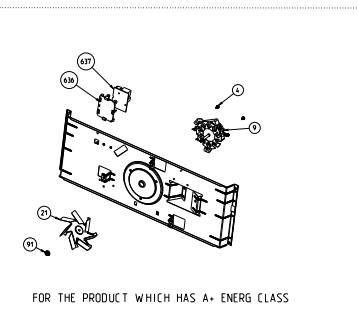
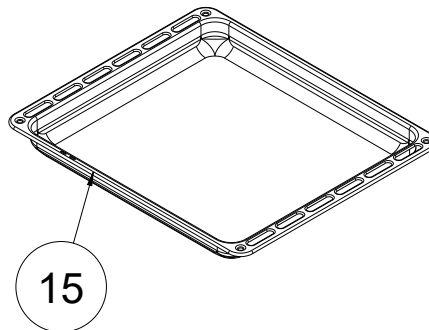


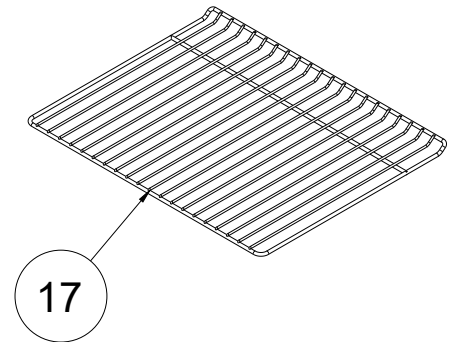
479  
THERMST BULB  
HOLDER/BRAKET



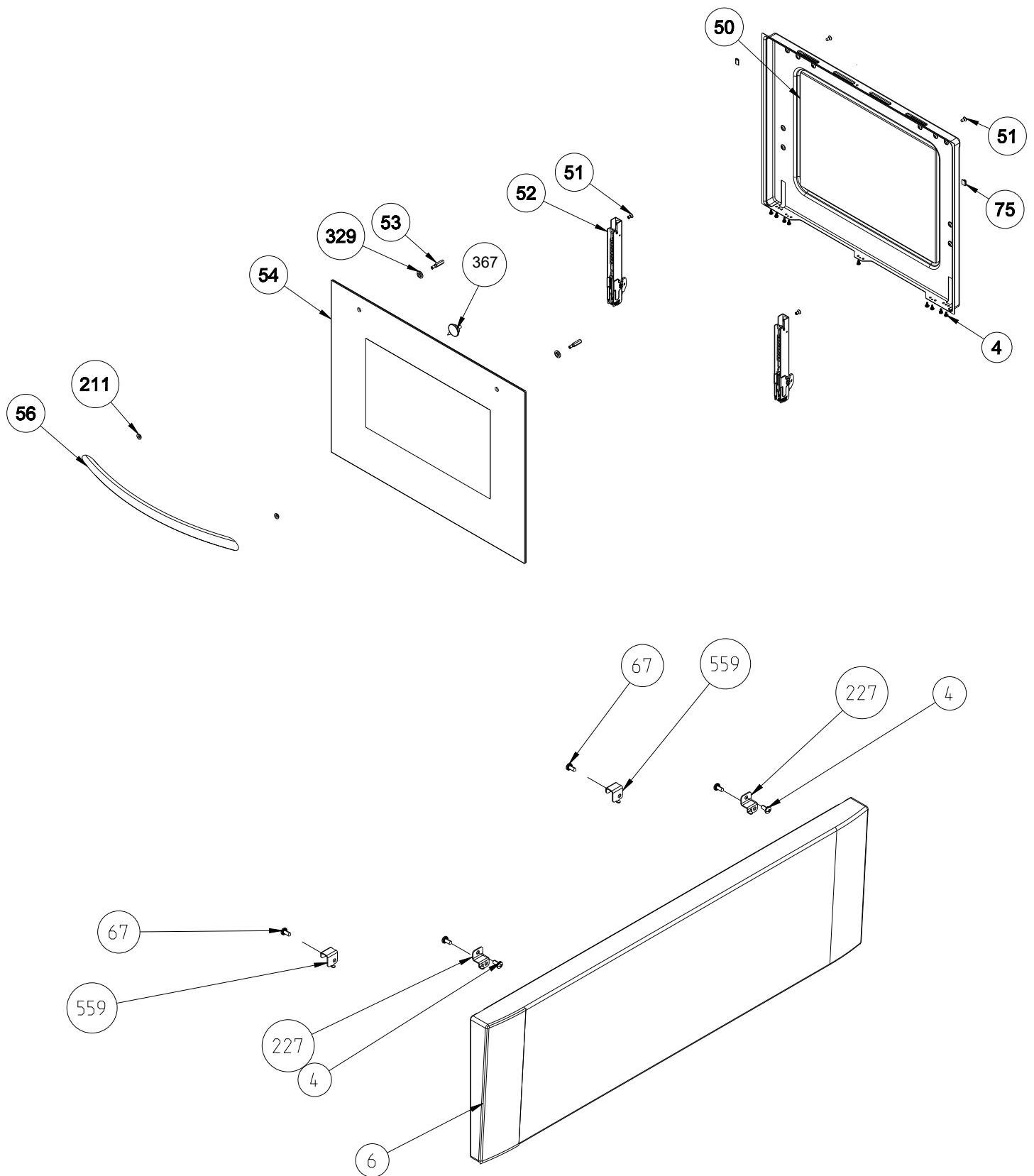
FOR THE PRODUCT WHICH HAS A+ ENERGY CLASS



DEEP



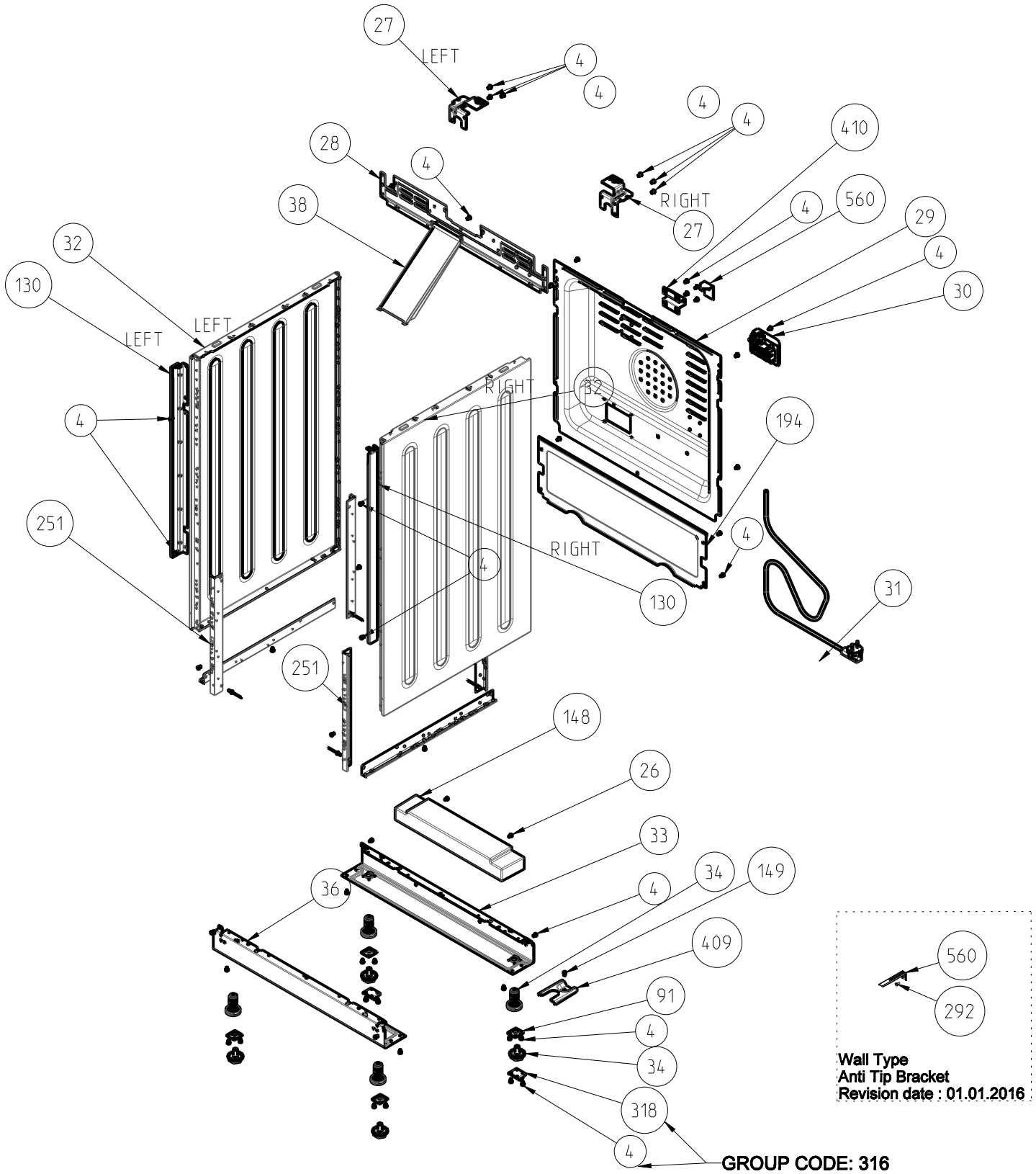
LOCKED



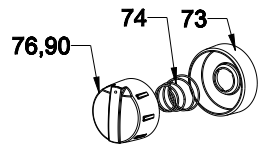
**FIXED DRAWER ASSEMBLY  
(OPTIONAL)**



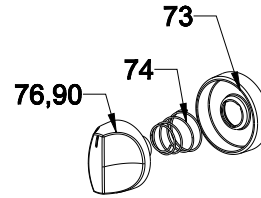




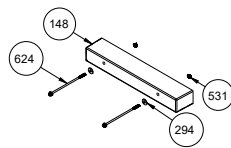
YNTB 85 CM SIDE PANEL ASSEMBLY



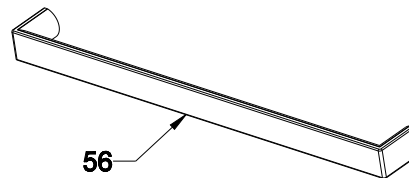
ANTERO



GAMA RING



CONCRETE WEIGHT



VERO