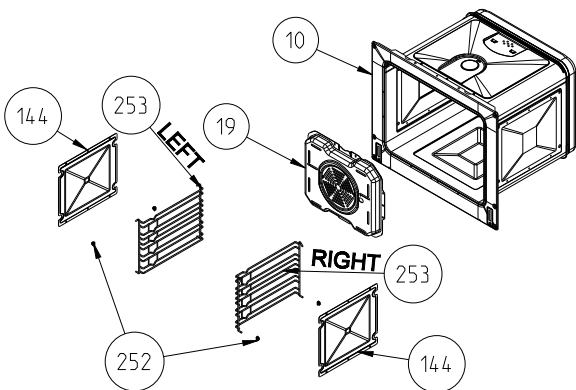
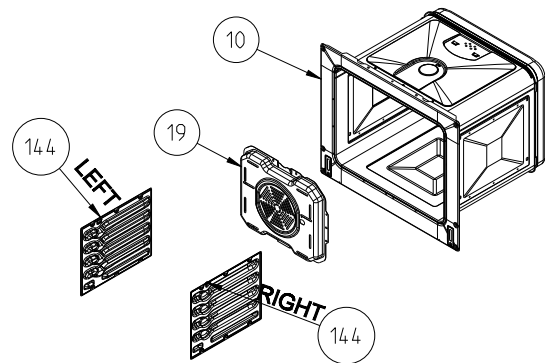


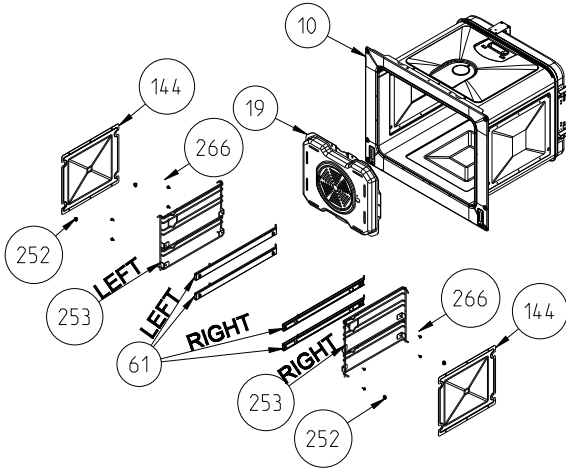
FOR THE PRODUCT WHICH HAS A+ ENERG CLASS



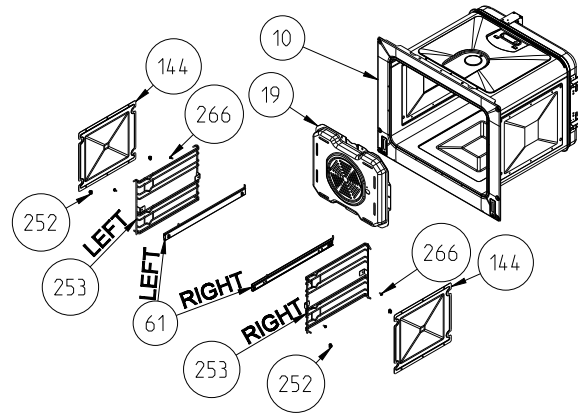
**WIRE SHELF CAVITY ASSEMBLY
WITH / WITHOUT CATALYTIC PANEL (OPTIONAL)**



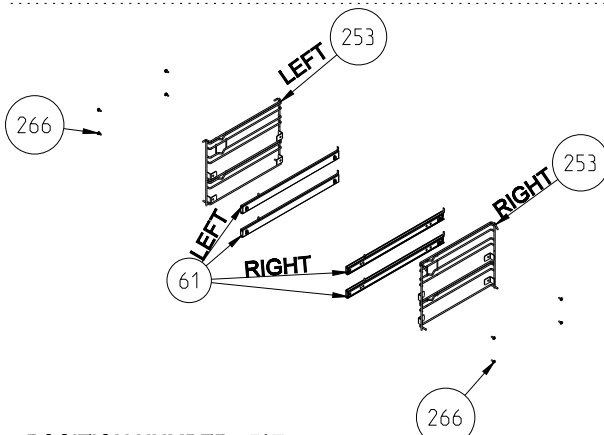
CAVITY ASSEMBLY WITH CATALYTIC SHELF (OPTIONAL)



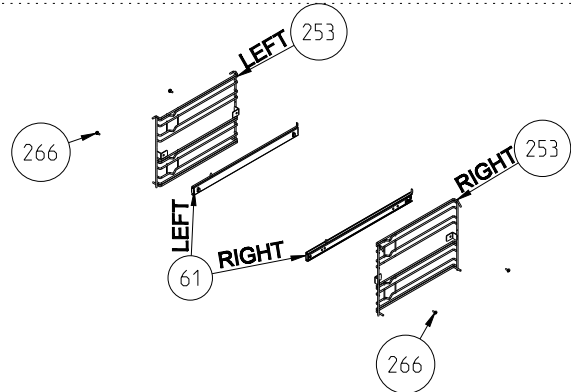
**WIRE SHELF CAVITY ASSEMBLY
WITH/ WITHOUT CATALYTIC PANEL
OPTIONAL: DOUBLE TELESCOPIC RAIL (R / L)**



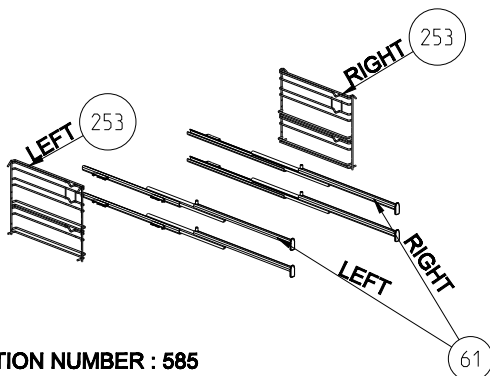
**WIRE SHELF CAVITY ASSEMBLY
WITH/ WITHOUT CATALYTIC PANEL
OPTIONAL: TELESCOPIC RAIL (R / L)**



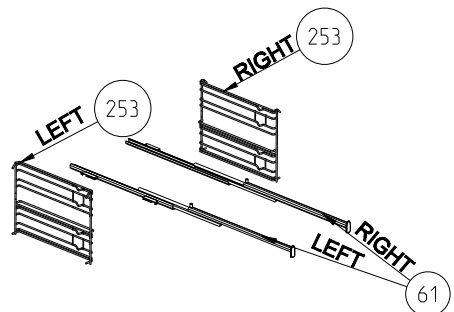
**POSITION NUMBER : 587
WIRE SHELF (SINGLE EXTENSION)
OPTIONAL: DOUBLE TELESCOPIC RAIL (R / L) GROUP**



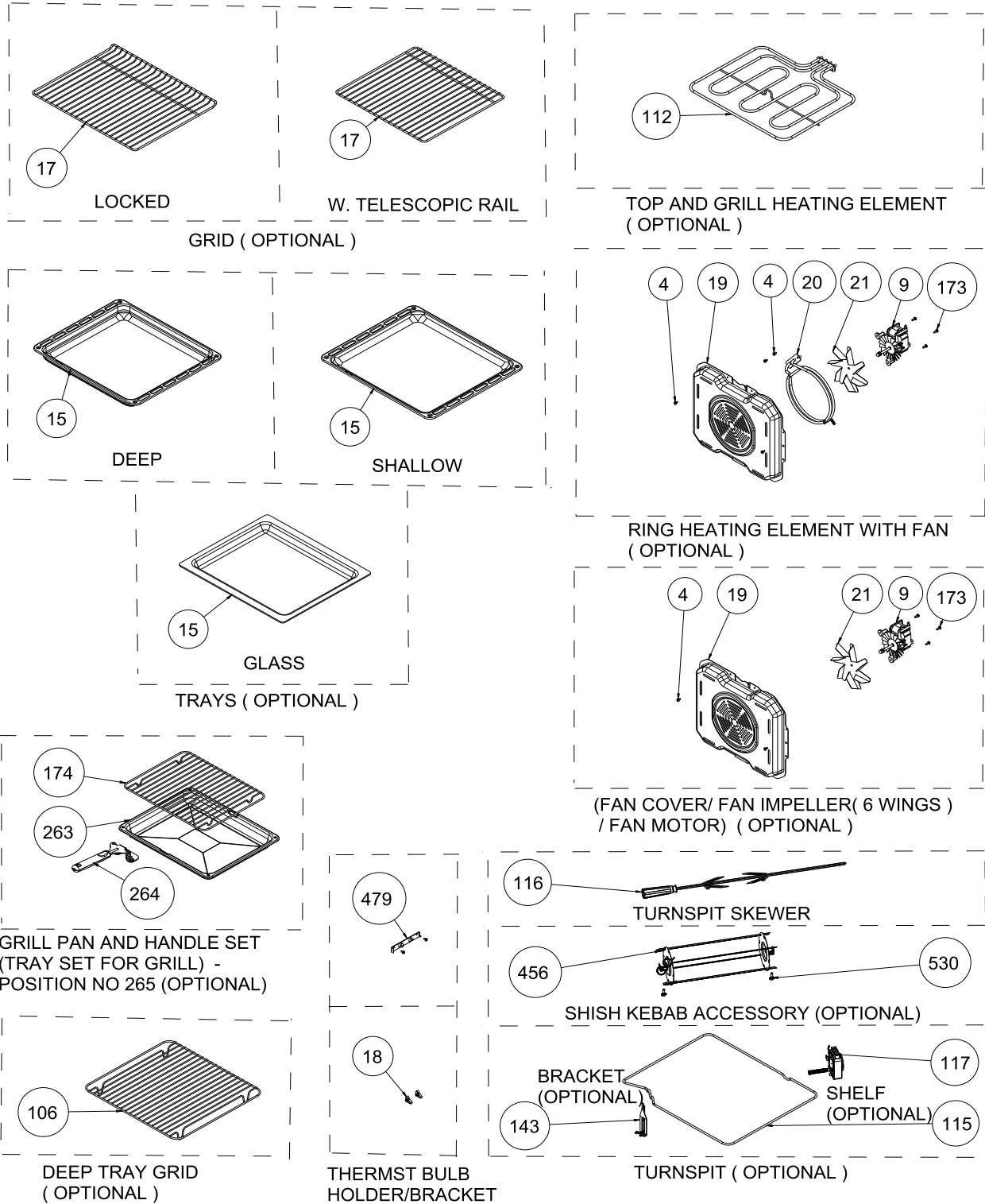
**POSITION NUMBER : 588
WIRE SHELF (SINGLE EXTENSION)
OPTIONAL: SINGLE TELESCOPIC RAIL (R / L) GROUP**



**POSITION NUMBER : 585
WIRE SHELF (FULL EXTENSION)
OPTIONAL: DOUBLE TELESCOPIC RAIL (R / L) GROUP**



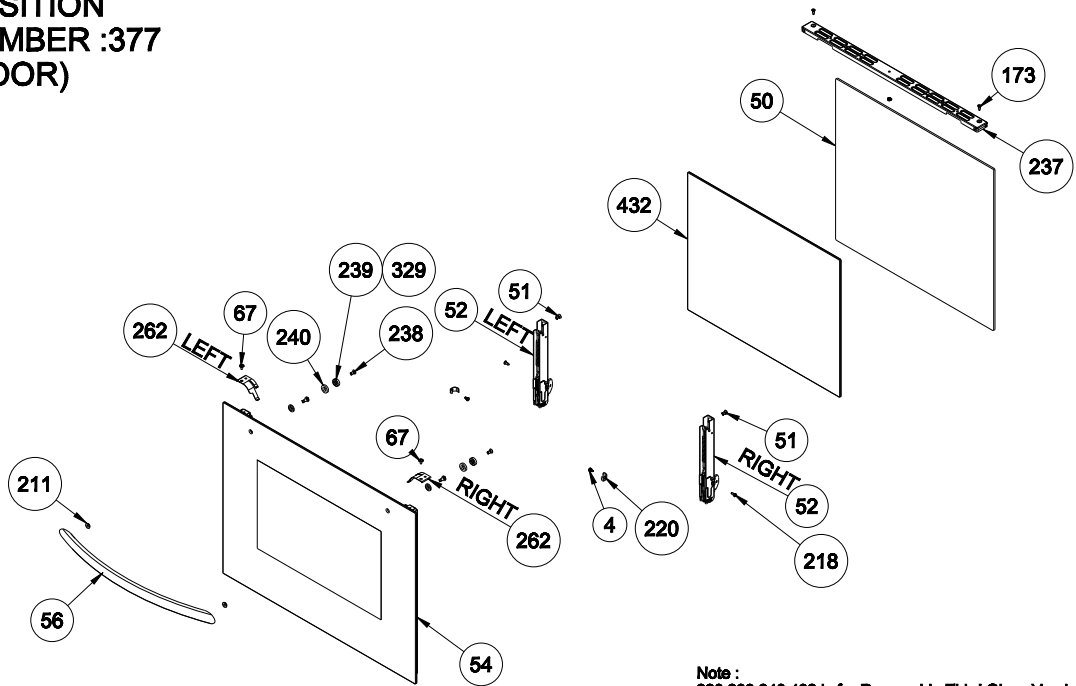
**POSITION NUMBER: 586
WIRE SHELF (FULL EXTENSION)
OPTIONAL: SINGLE TELESCOPIC RAIL (R / L) GROUP**



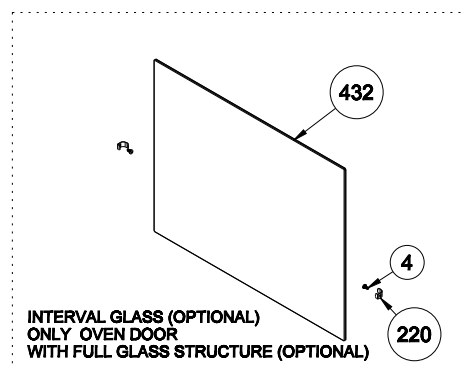
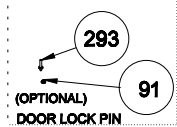
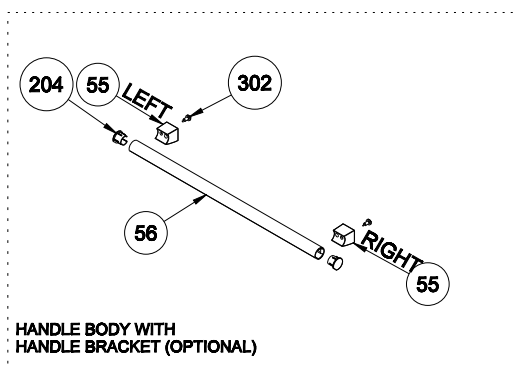
EXPLODED VIEW - CAVITY ASSEMBLY

OVEN DOOR ASSEMBLY EXPLODED VIEW (OPTIONAL)

POSITION
NUMBER :377
(DOOR)

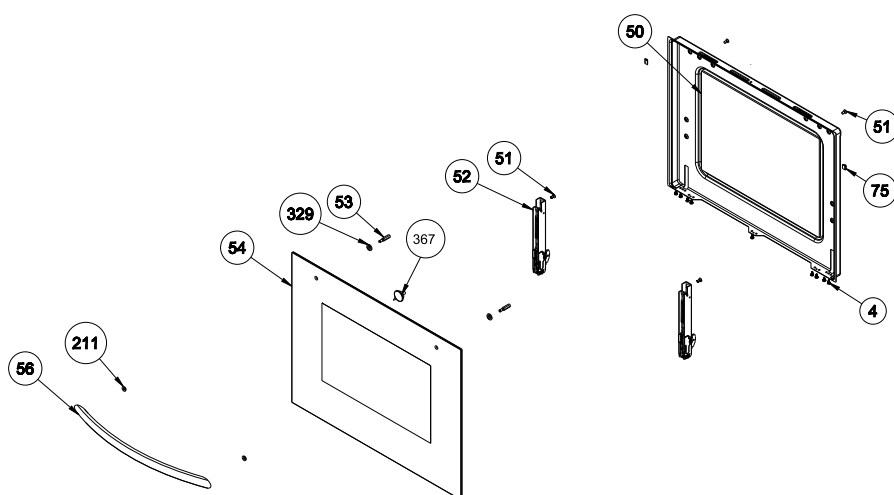


Note :
220,239,240,432 is for Removable Third Glass Versions
262,67 is for Removable Glass Versions



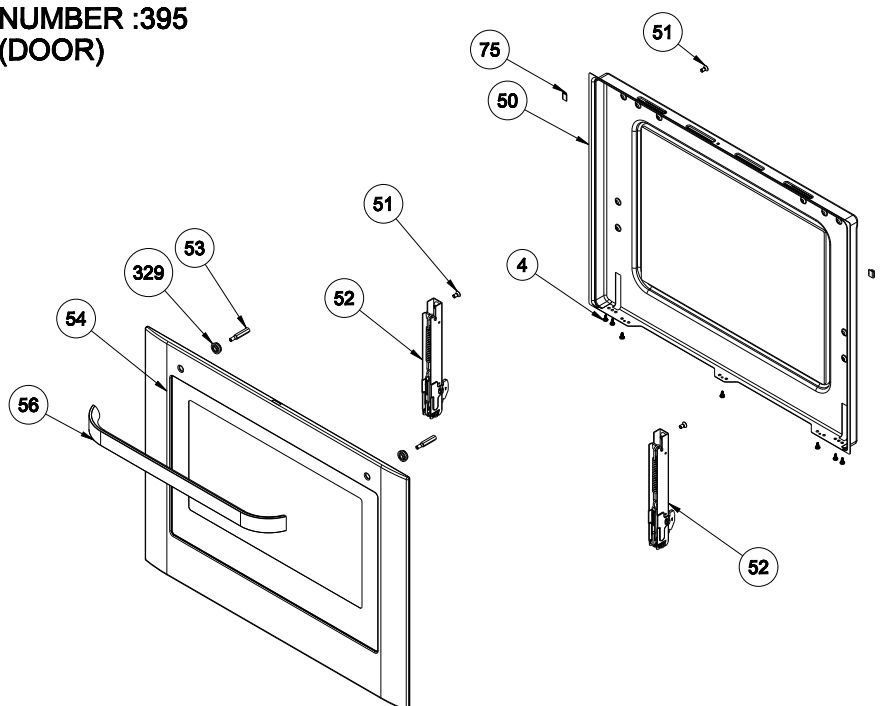
**SOLID TYPE OVEN DOOR ASSEMBLY EXPLODED VIEW
(FRONT VIEW OF GLASS)
(OPTIONAL)**

**POSITION
NUMBER :376
(DOOR)**

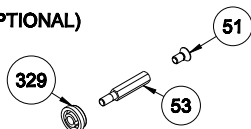


**SOLID TYPE OVEN DOOR ASSEMBLY EXPLODED VIEW
(FRONT VIEW OF METAL WITH GLASS) (OPTIONAL)**

**POSITION
NUMBER :395
(DOOR)**

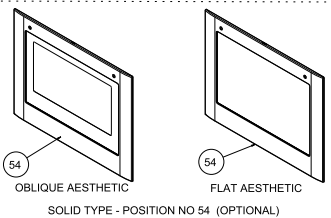


(OPTIONAL)

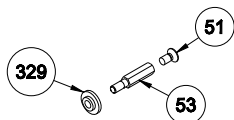


TYPE 1

HANDLE ASSEMBLY GROUP
POSITION NUMBER : 49
(OPTIONAL)

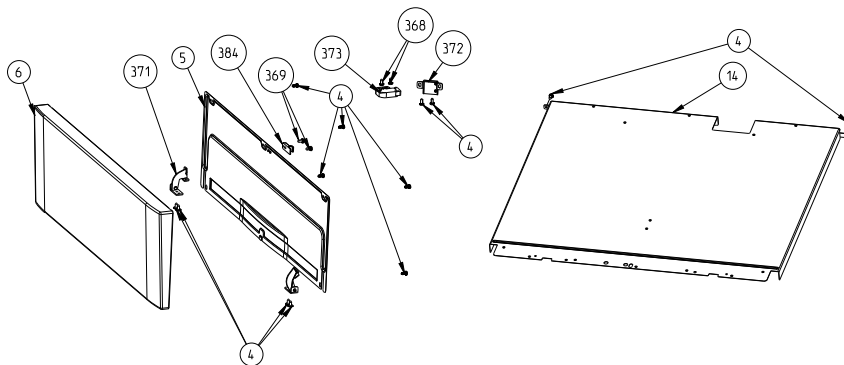


(OPTIONAL)

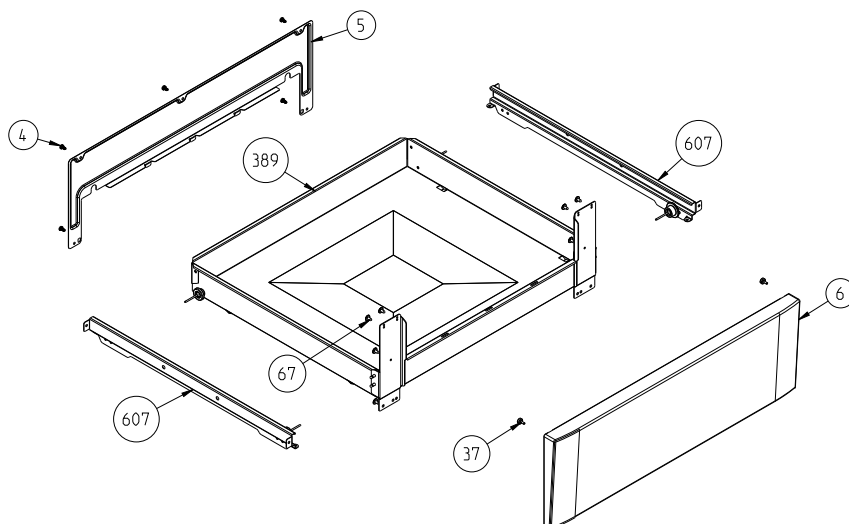


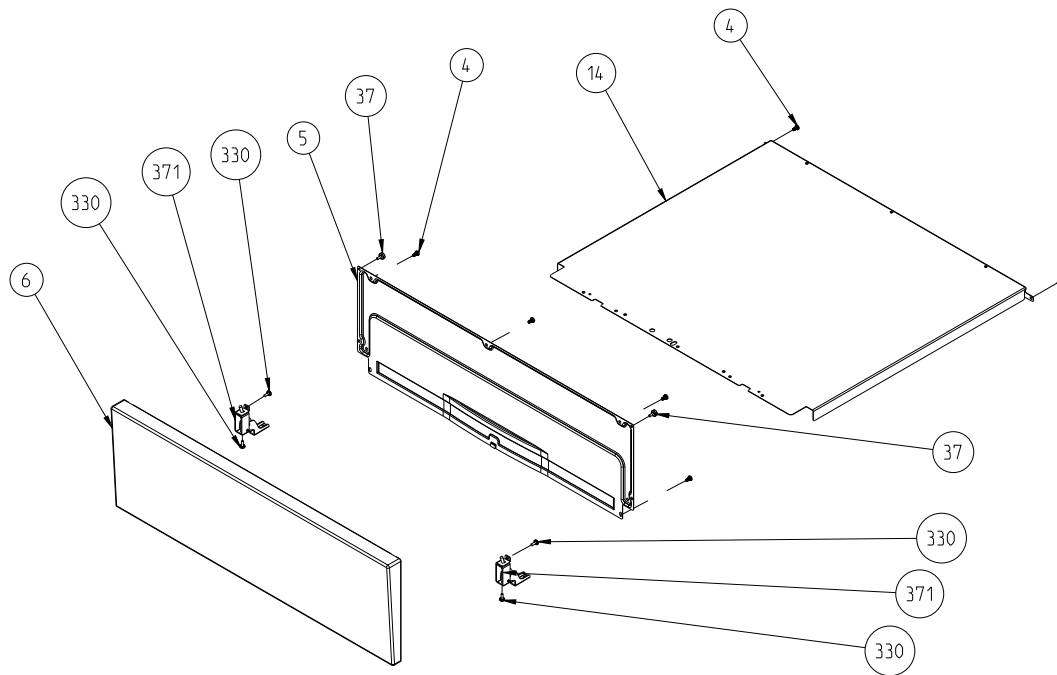
TYPE 2

HANDLE ASSEMBLY GROUP
POSITION NUMBER : 49
(OPTIONAL)

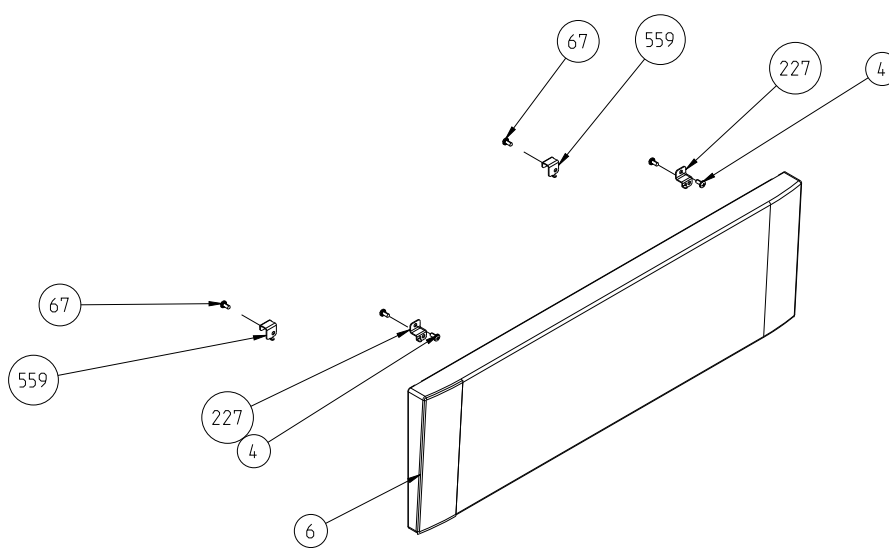


PUSH PULL FLAP DRAWER ASSEMBLY (OPTIONAL)

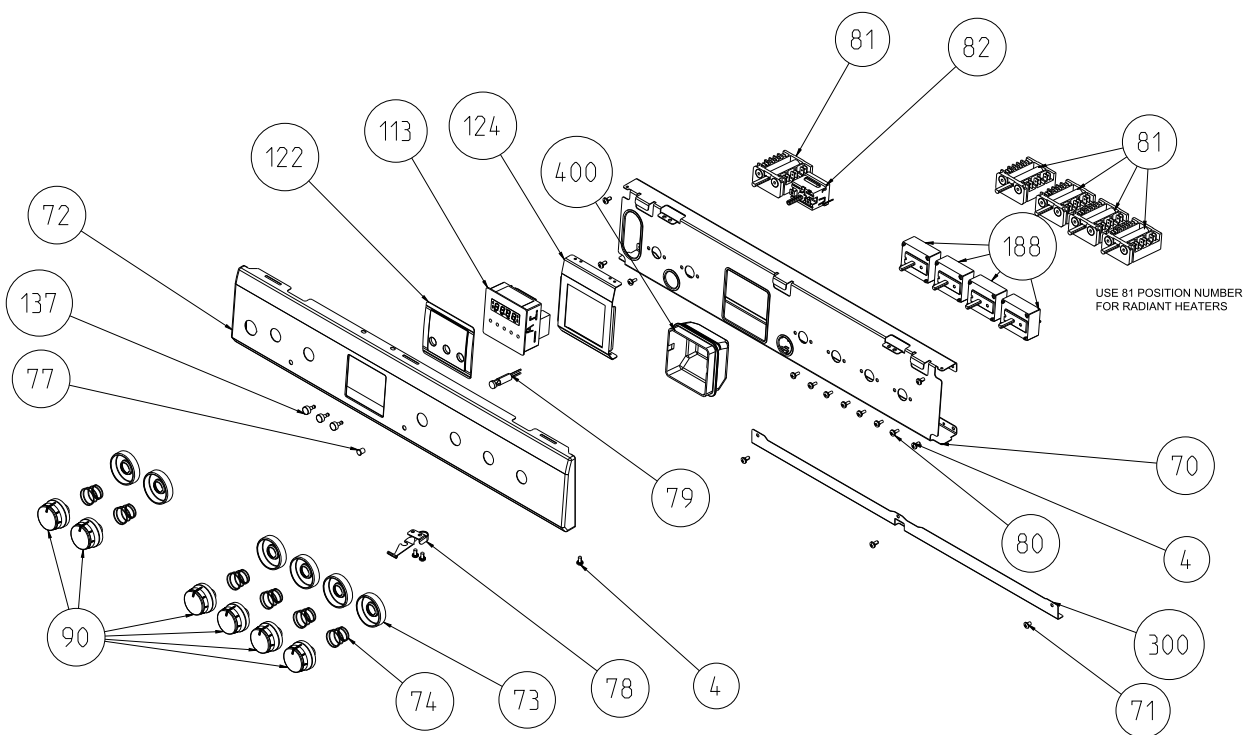
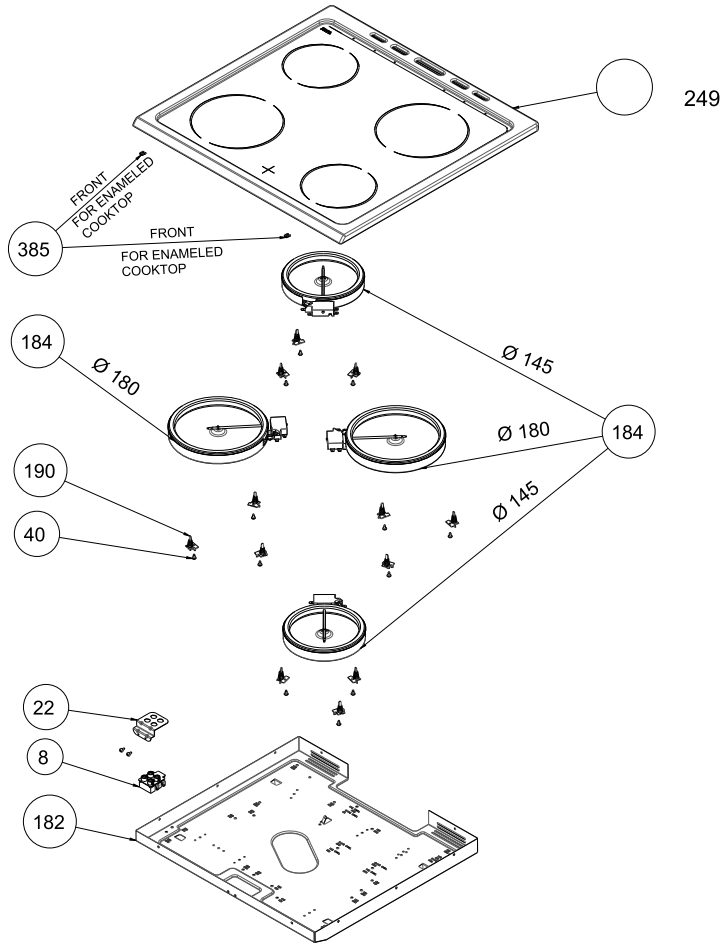


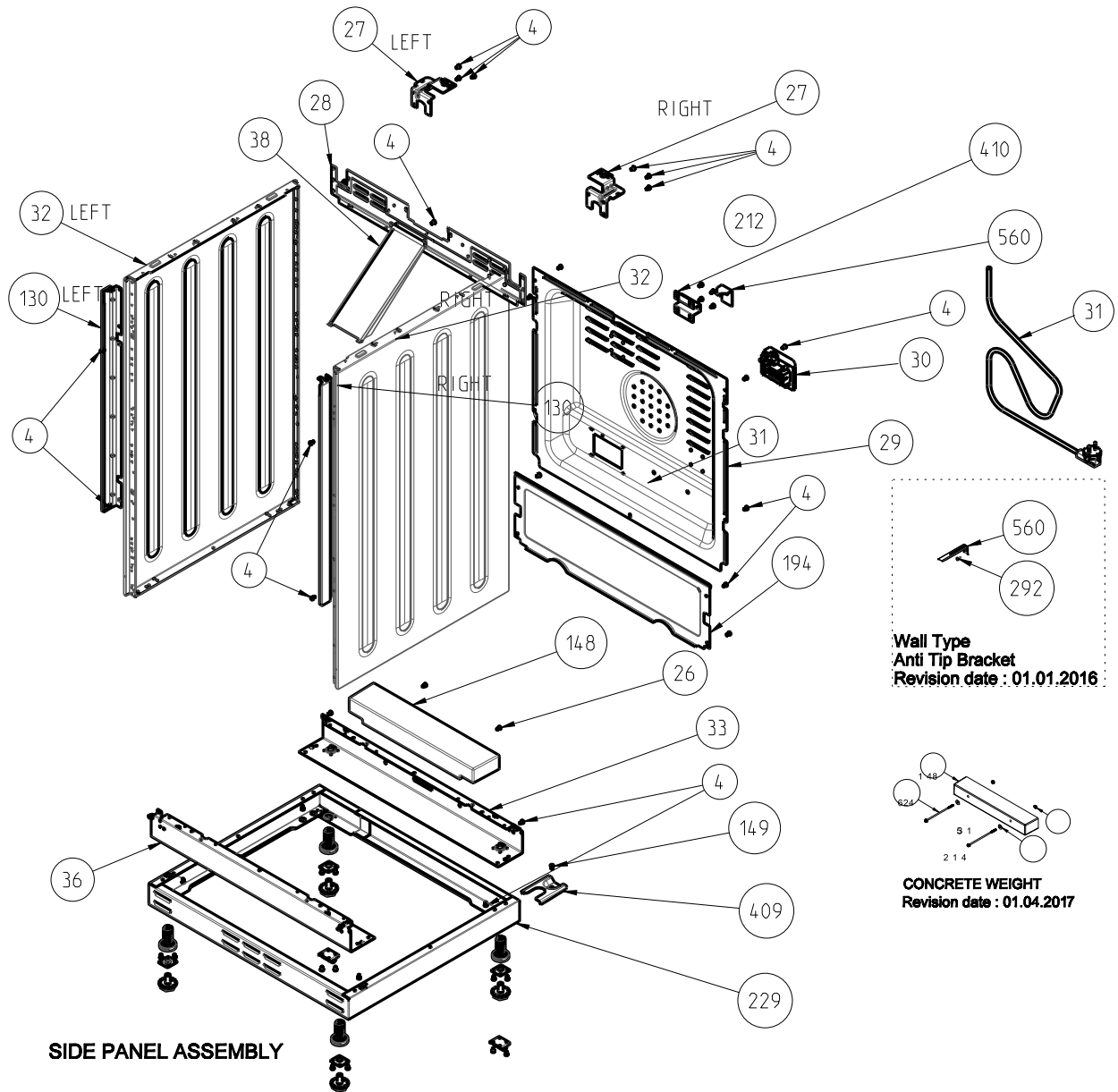


YNTB FLAP DRAWER ASSEMBLY

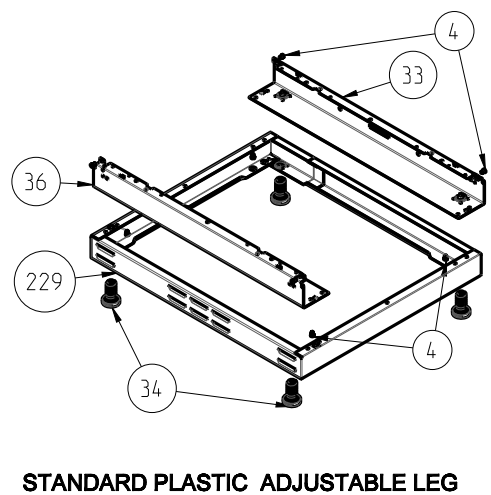
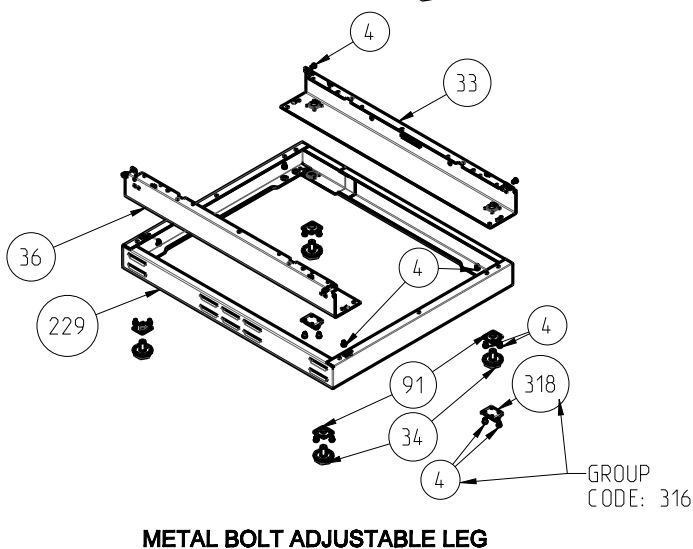


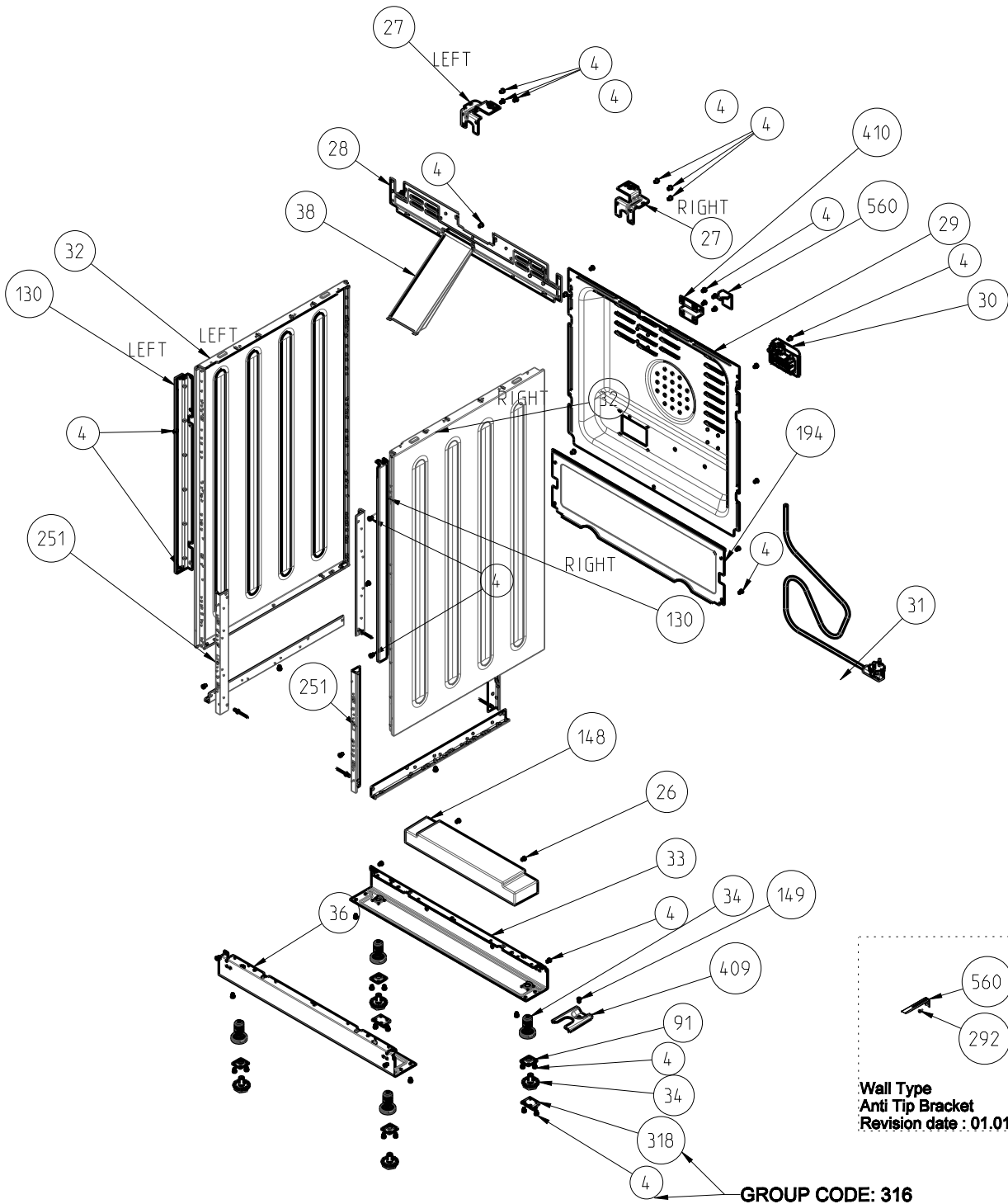
**FIXED DRAWER ASSEMBLY
(OPTIONAL)**



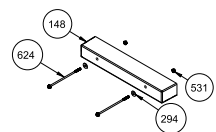


SIDE PANEL ASSEMBLY

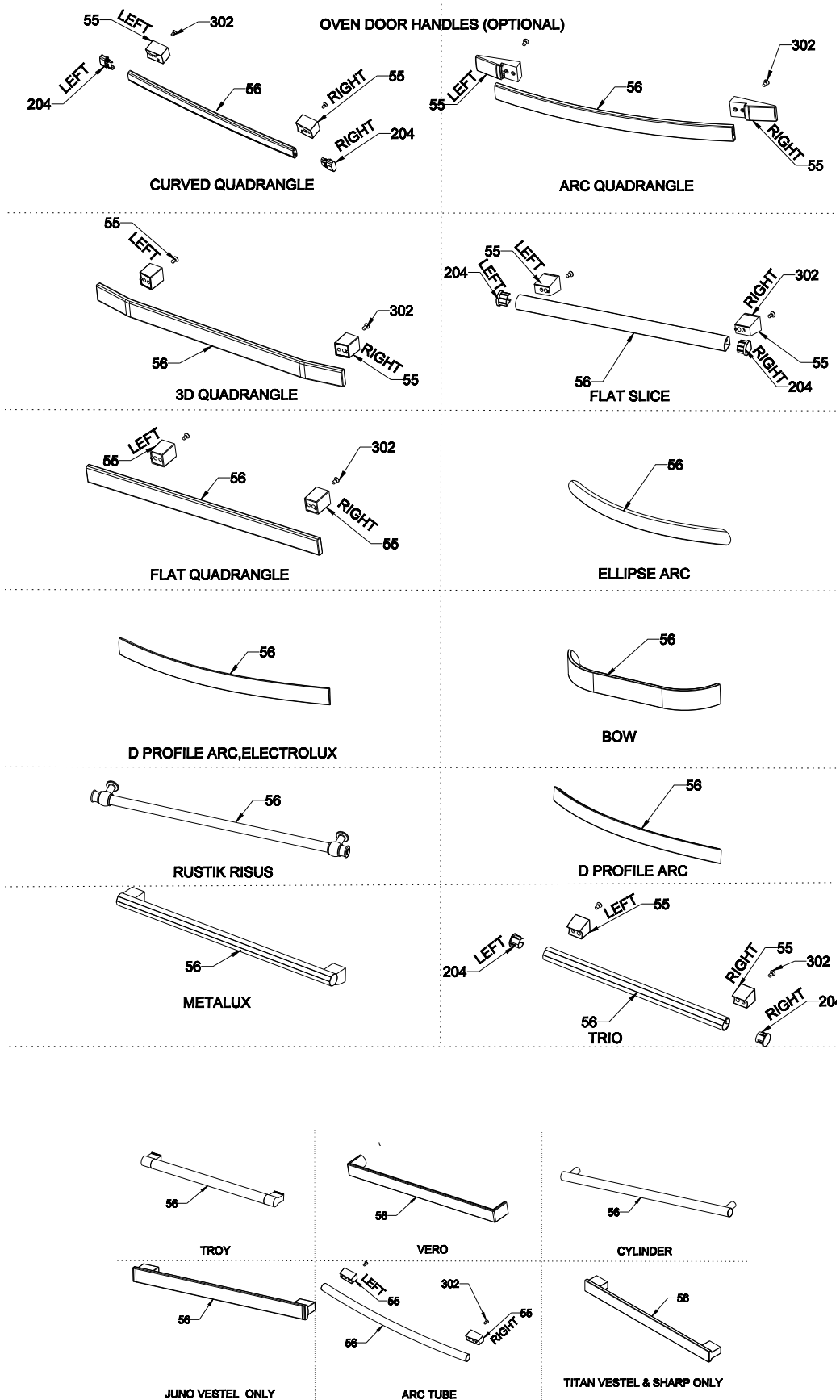




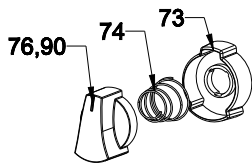
YNTB 85 CM SIDE PANEL ASSEMBLY



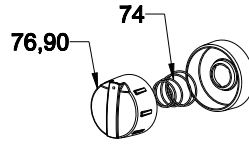
CONCRETE WEIGHT
Revision date : 01.04.2017



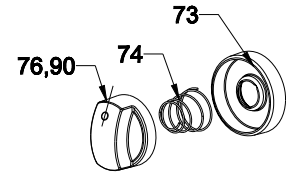
KNOBS (NEW FREESTANDING OVEN ONLY - OPTIONAL)



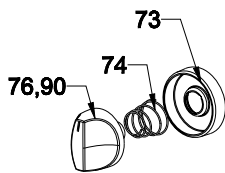
DELTA RING



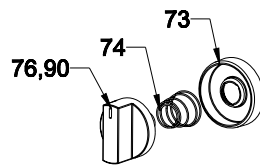
ANTERO



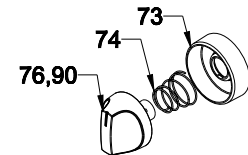
ECLIPSE RING



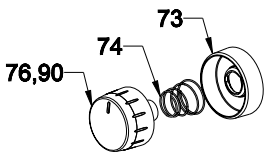
GAMA RING



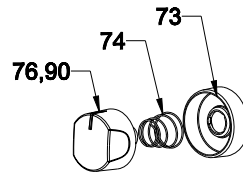
NORD RING



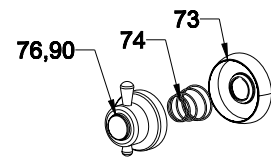
PELGIRIM



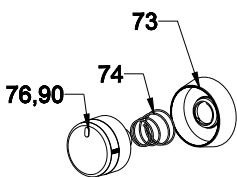
OMEGA



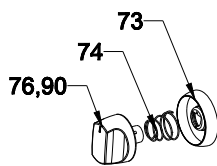
RIMO RING



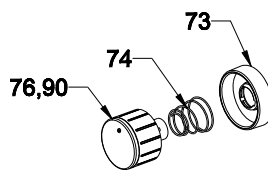
RUSTIK RISUS RING



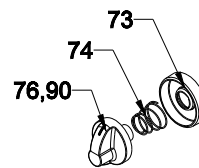
SIGMA



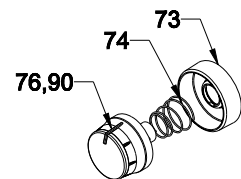
TRIO



SMALL MACRO RING



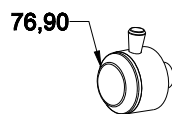
VARIO RING



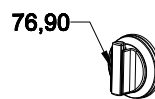
SPEKTRUM



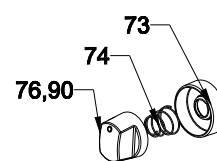
AGA CLASSIC ONLY



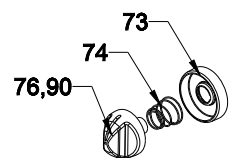
AGA KITCHENER ONLY



AGA PROFESSIONAL ONLY



VESTA



ZETA RING