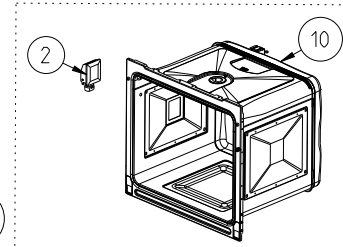
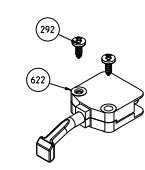
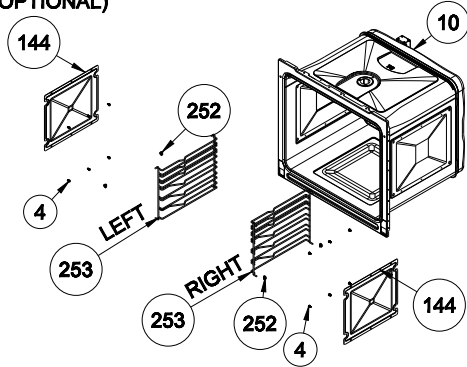


USED IN ALL PRODUCT WITH DOOR SWITCH

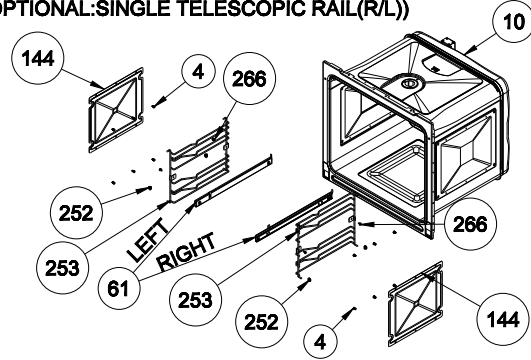


**SIDE LIGHTING CAVITY (OPTIONAL)**

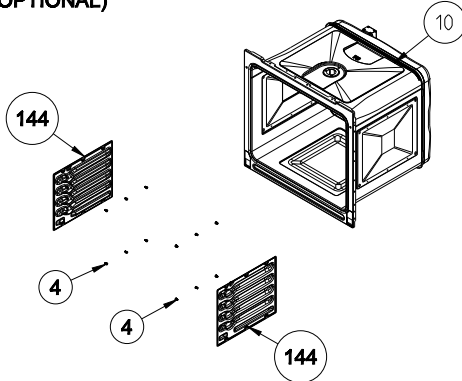
**WIRE SHELF CAVITY ASSEMBLY WITH/ WITHOUT CATALYTIC PANEL (OPTIONAL)**



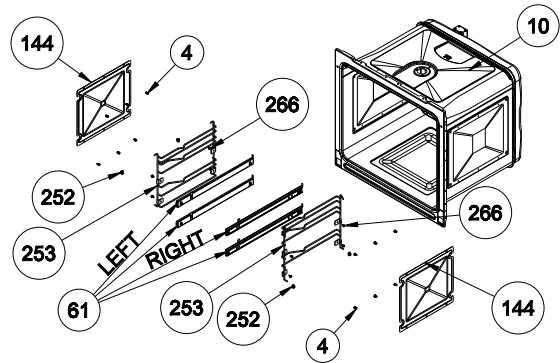
**WIRE SHELF CAVITY ASSEMBLY WITH/ WITHOUT CATALYTIC PANEL (OPTIONAL: SINGLE TELESCOPIC RAIL(R/L))**



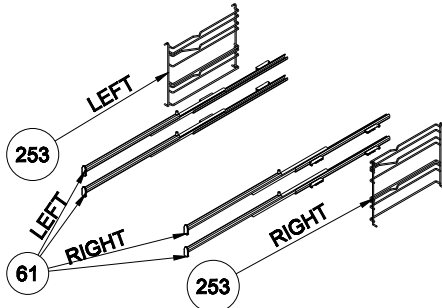
**CAVITY ASSEMBLY WITH CATALYTIC PANEL (OPTIONAL)**



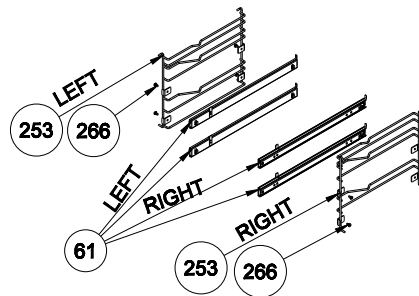
**WIRE SHELF CAVITY ASSEMBLY WITH/ WITHOUT CATALYTIC PANEL (OPTIONAL: DOUBLE TELESCOPIC RAIL(R/L))**



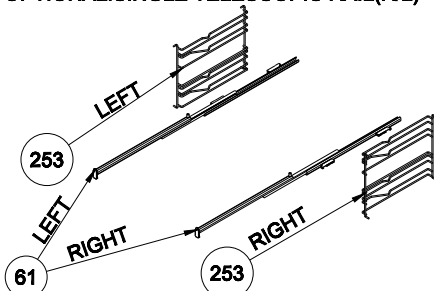
**POSITION NUMBER : 585  
WIRE SHELF (FULL EXTENSION)  
OPTIONAL: DOUBLE TELESCOPIC RAIL(R/L)**



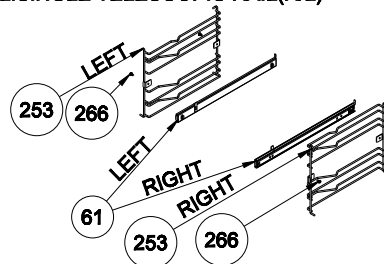
**POSITION NUMBER : 587  
WIRE SHELF (SINGLE EXTENSION)  
OPTIONAL: DOUBLE TELESCOPIC RAIL(R/L)**

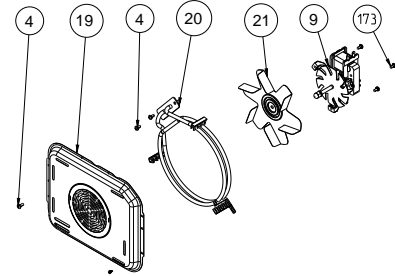
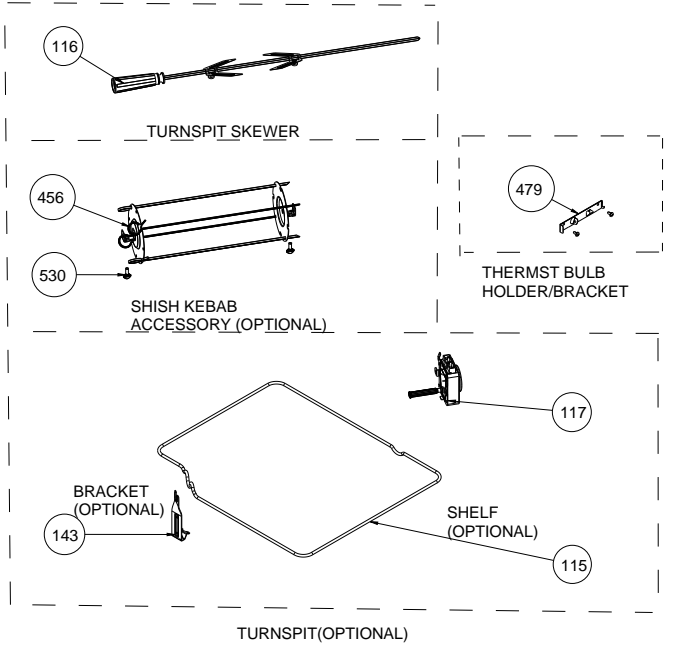


**POSITION NUMBER : 586  
WIRE SHELF (FULL EXTENSION)  
OPTIONAL: SINGLE TELESCOPIC RAIL(R/L)**



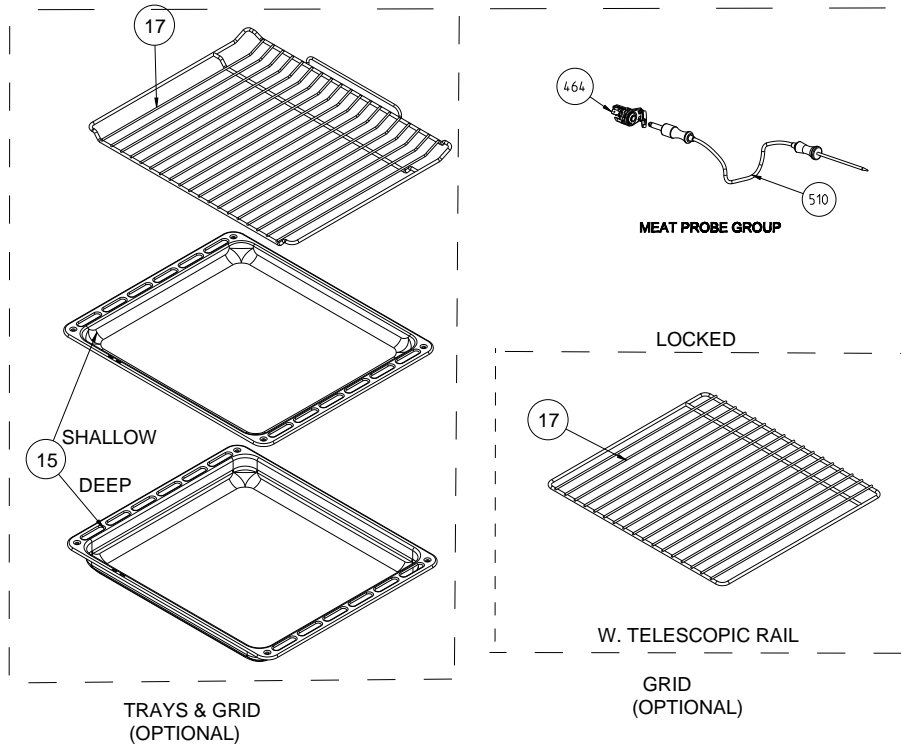
**POSITION NUMBER : 588  
WIRE SHELF (SINGLE EXTENSION)  
OPTIONAL: SINGLE TELESCOPIC RAIL(R/L)**



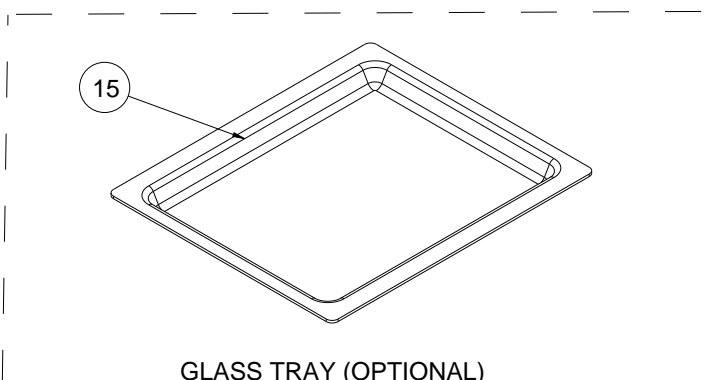


RING HEATING ELEMENT WITH FAN (OPTIONAL)

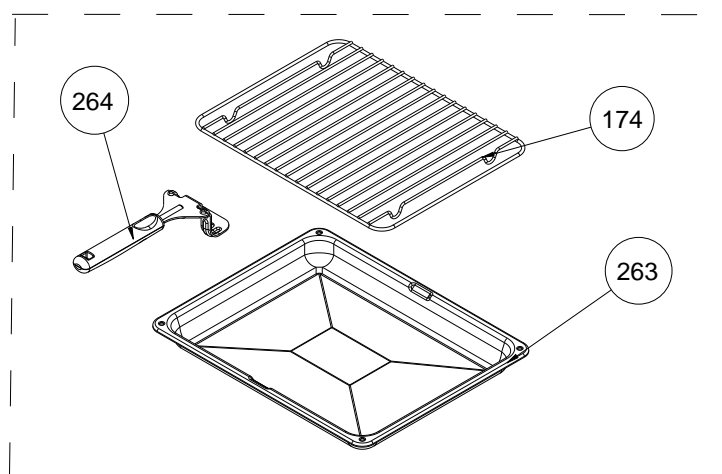
TURNSPIT(OPTIONAL)



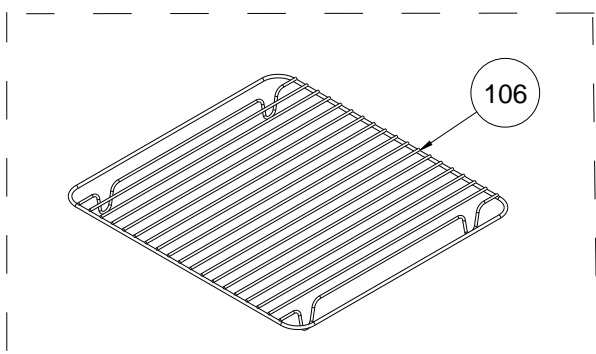
(FAN COVER/ FAN IMPELLER (6 WINGS)/  
FAN MOTOR) (OPTIONAL)



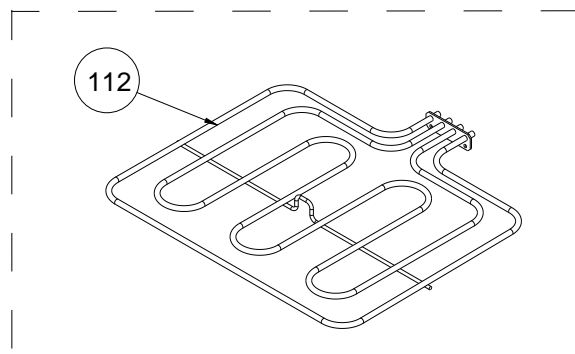
GLASS TRAY (OPTIONAL)



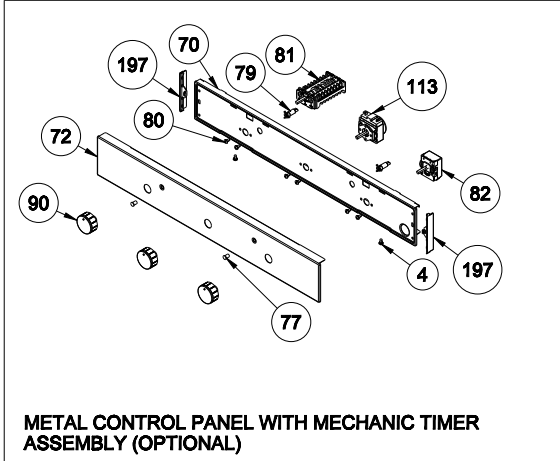
TRAY SET FOR GRID  
(POSITION NO : 265)  
(OPTIONAL)



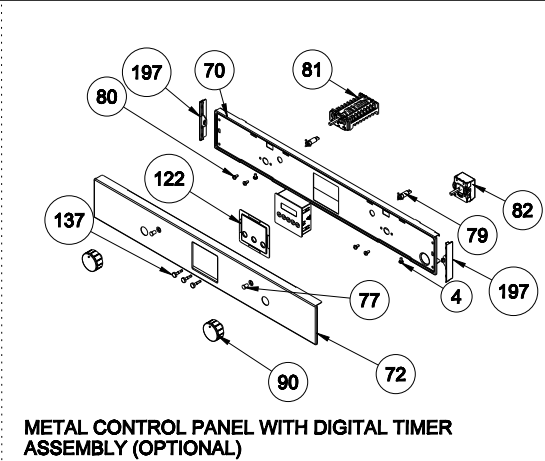
DEEP TRAY GRID  
(OPTIONAL)



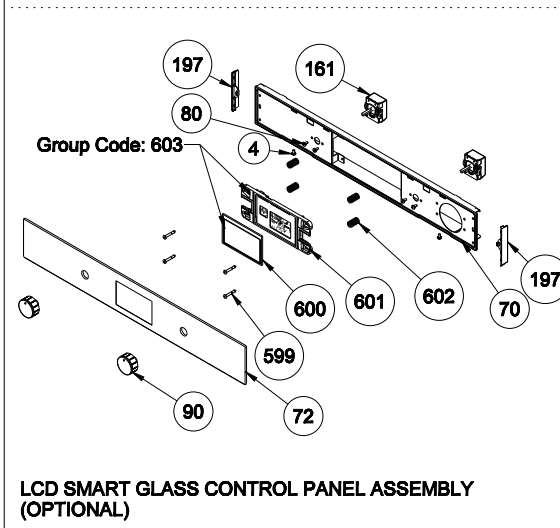
TOP AND GRILL HEATING  
ELEMENT (OPTIONAL)



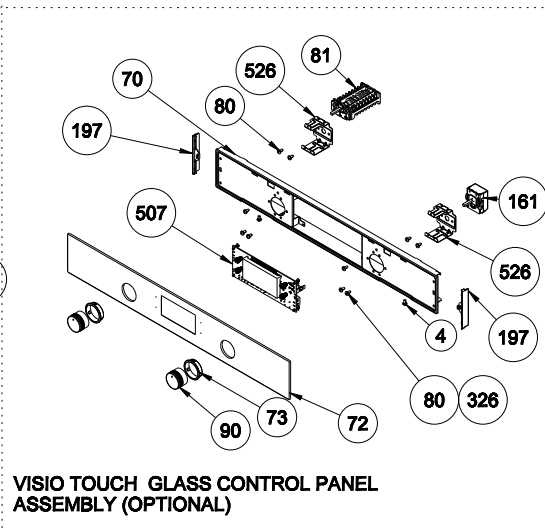
METAL CONTROL PANEL WITH MECHANIC TIMER ASSEMBLY (OPTIONAL)



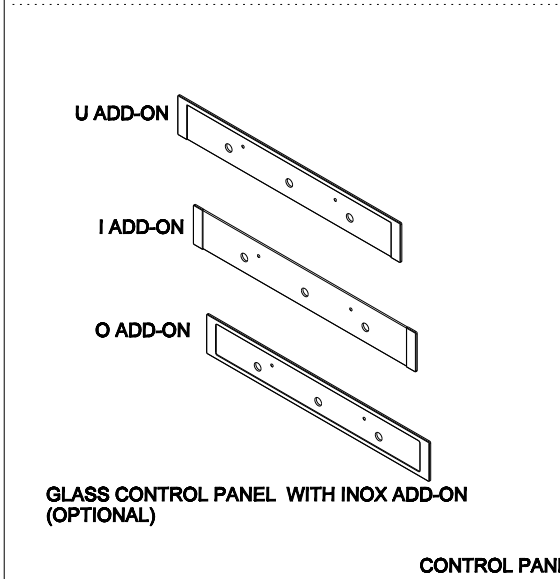
METAL CONTROL PANEL WITH DIGITAL TIMER ASSEMBLY (OPTIONAL)



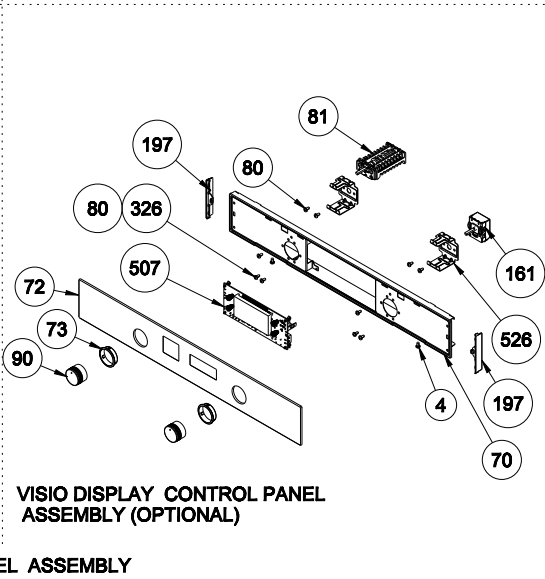
LCD SMART GLASS CONTROL PANEL ASSEMBLY (OPTIONAL)



VISIO TOUCH GLASS CONTROL PANEL ASSEMBLY (OPTIONAL)



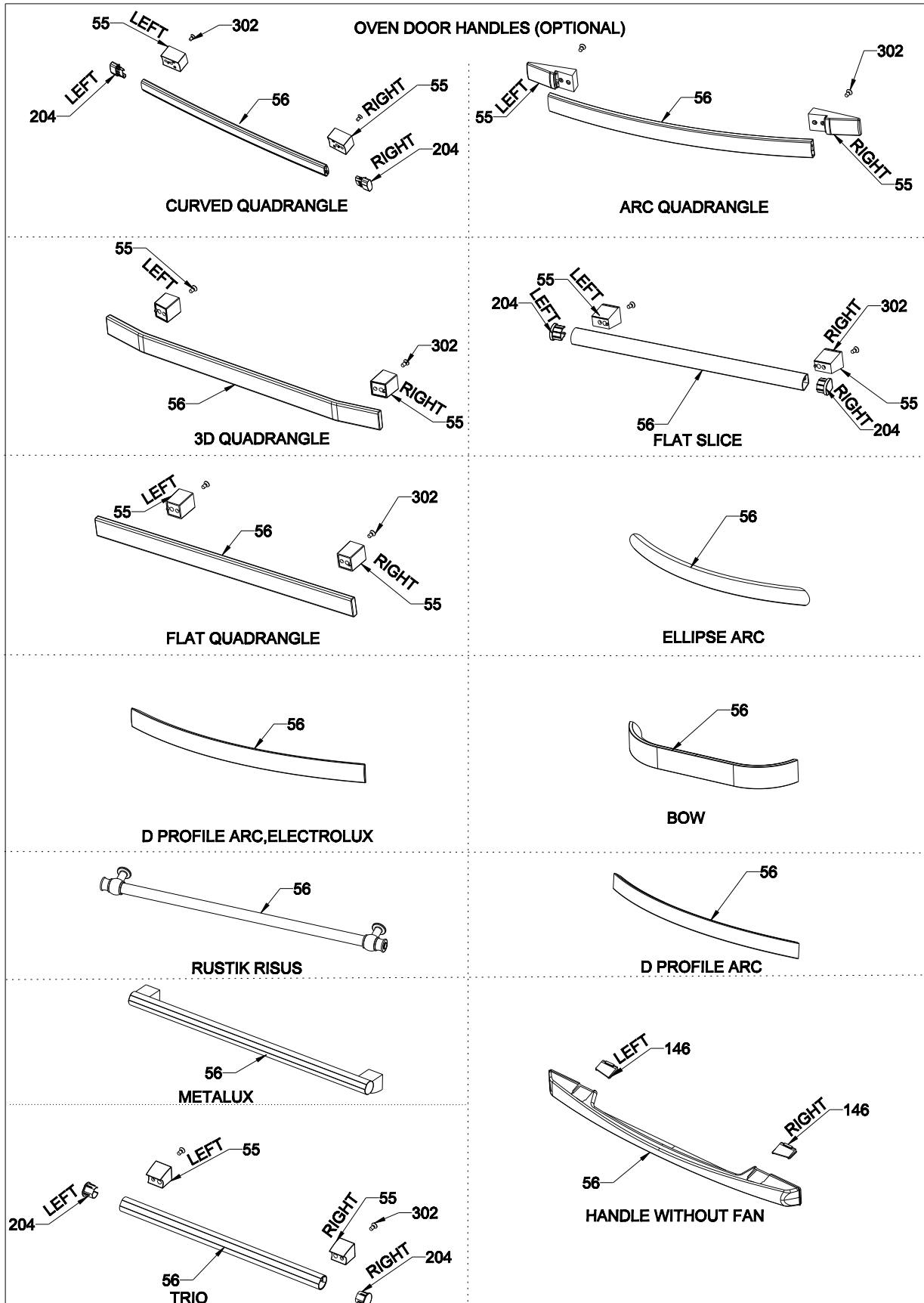
GLASS CONTROL PANEL WITH INOX ADD-ON (OPTIONAL)

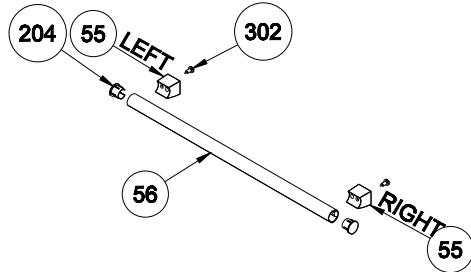


VISIO DISPLAY CONTROL PANEL ASSEMBLY (OPTIONAL)

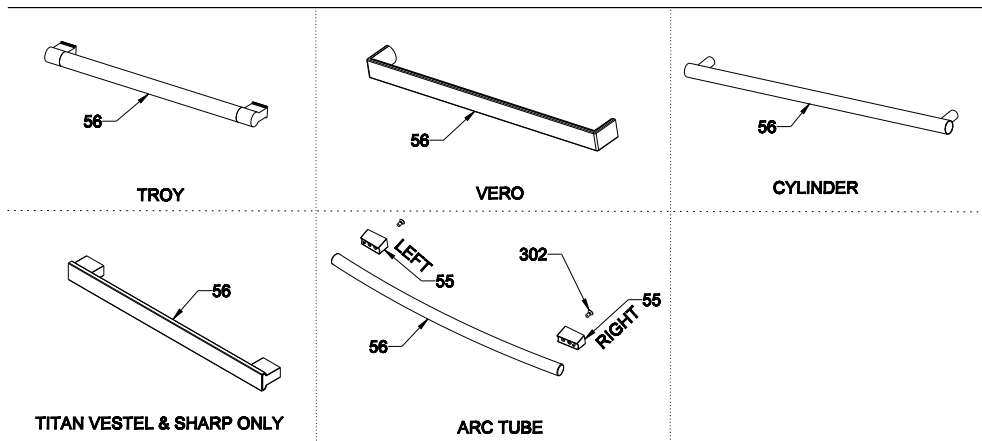
CONTROL PANEL ASSEMBLY







HANDLE BODY WITH  
HANDLE BRACKET (OPTIONAL)



KNOBBS ( ONLY FOR BUILT-IN - OPTIONAL )

