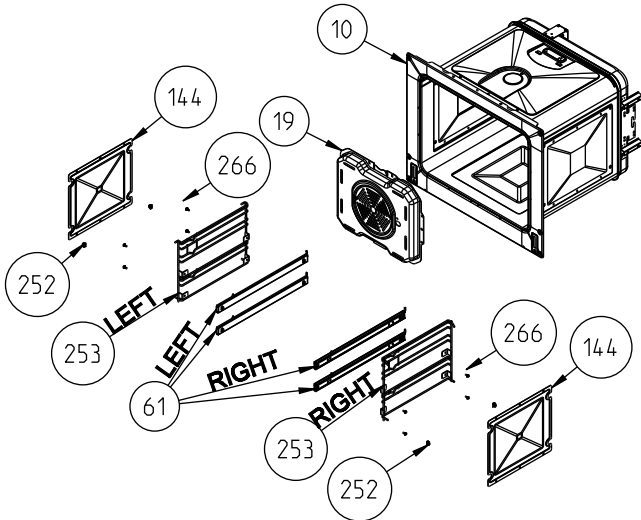
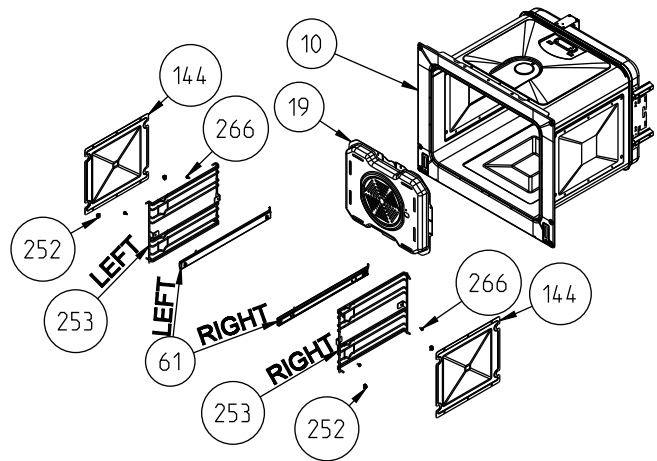


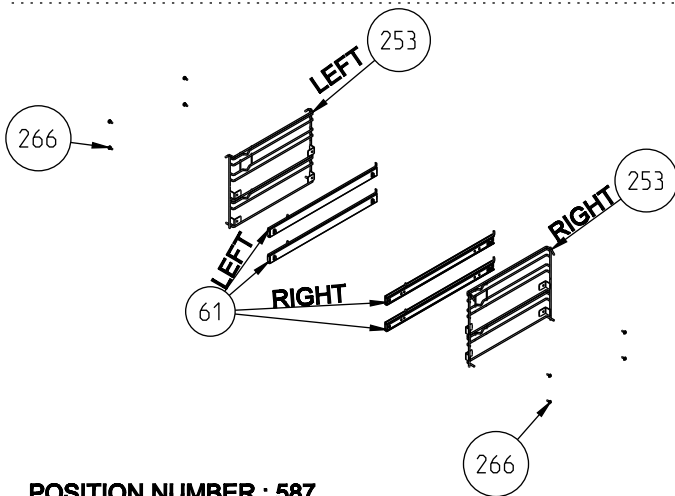
USED IN ALL PRODUCT WITH DOOR SWITCH



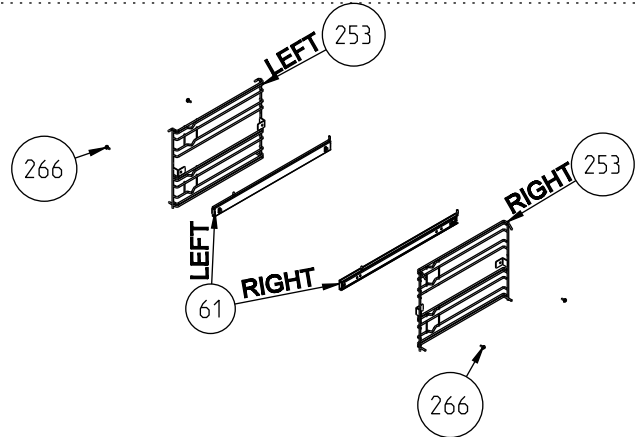
**WIRE SHELF CAVITY ASSEMBLY
WITH/ WITHOUT CATALYTIC PANEL
OPTIONAL: DOUBLE TELESCOPIC RAIL (R / L)**



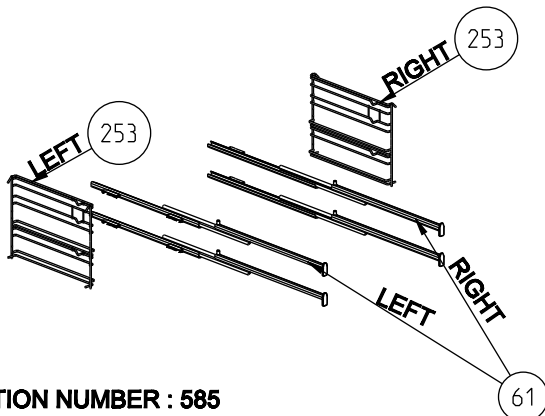
**WIRE SHELF CAVITY ASSEMBLY
WITH/ WITHOUT CATALYTIC PANEL
OPTIONAL: TELESCOPIC RAIL (R / L)**



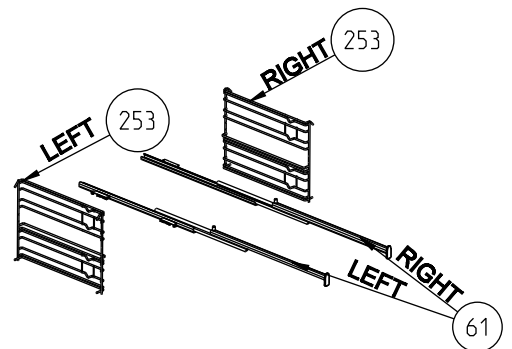
**POSITION NUMBER : 587
WIRE SHELF
OPTIONAL: DOUBLE TELESCOPIC RAIL (R / L) GROUP**



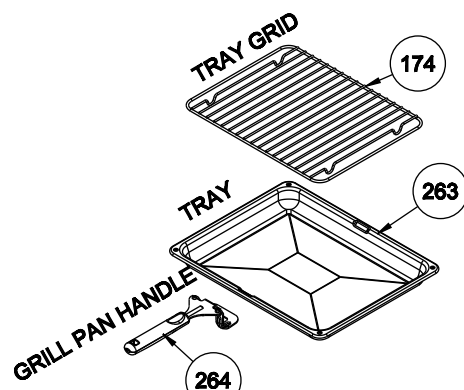
**POSITION NUMBER : 588
WIRE SHELF
OPTIONAL: SINGLE TELESCOPIC RAIL (R / L) GROUP**



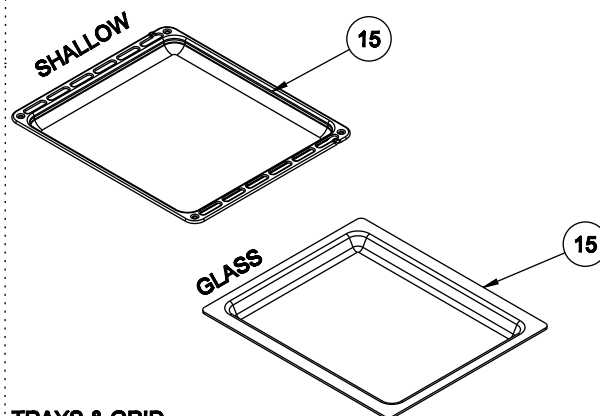
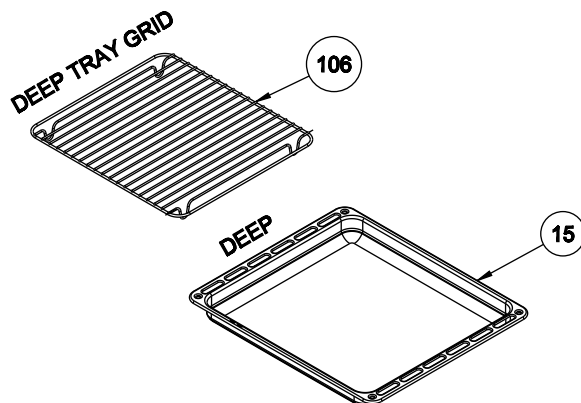
**POSITION NUMBER : 585
WIRE SHELF
OPTIONAL: DOUBLE TELESCOPIC RAIL (R / L) GROUP**



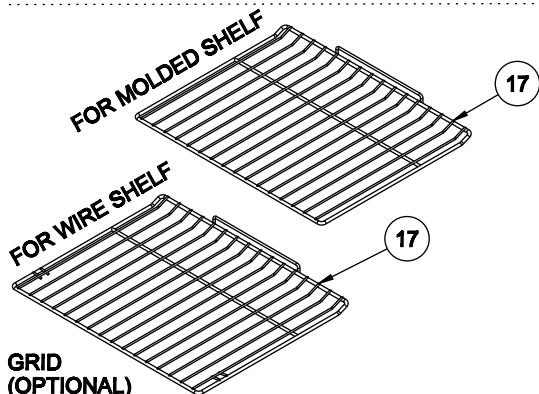
**POSITION NUMBER: 586
WIRE SHELF
OPTIONAL: SINGLE TELESCOPIC RAIL (R / L) GROUP**



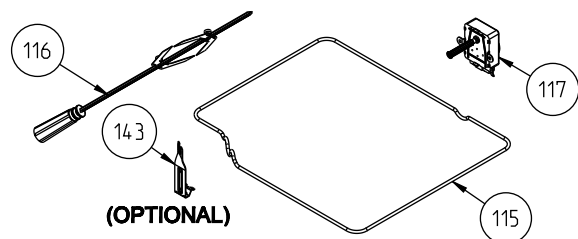
**GRILL PAN AND HANDLE SET
(TRAY SET FOR GRILL)
POSITION NUMBER : 265 (OPTIONAL)**



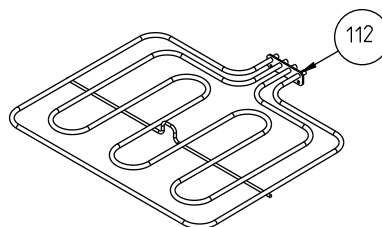
**TRAYS & GRID
(OPTIONAL FOR DB.OVEN ELC)**



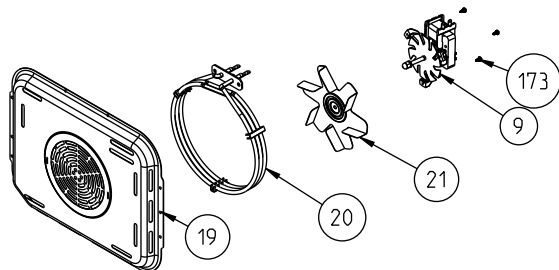
**GRID
(OPTIONAL)**



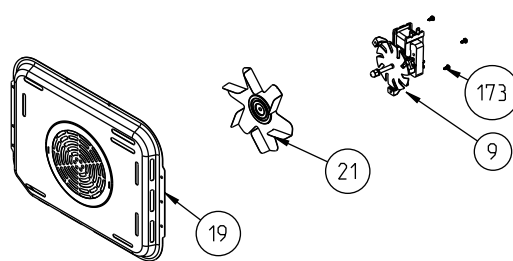
**TRUNSPIT
(OPTIONAL)**



**TOP AND HEATING GRILL ELEMENT
(OPTIONAL)**

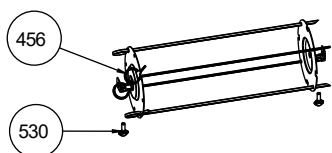


RING HEATING ELEMENT WITH FAN (OPTIONAL)

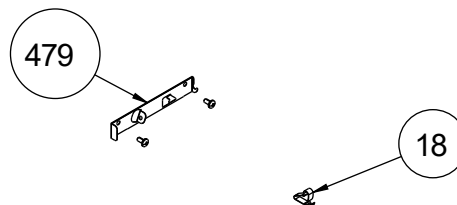


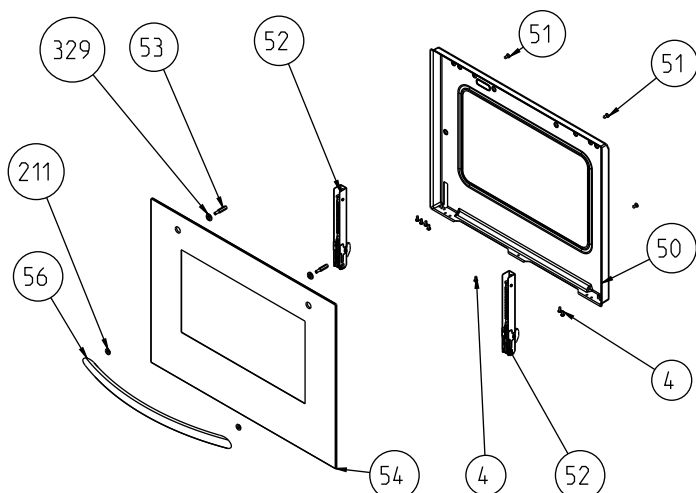
**FAN COVER/FAN IMPELLER (6 WINGS) FAN MOTOR
(OPTIONAL)**

SHISH KEBAB ACCESSORY (OPTIONAL)

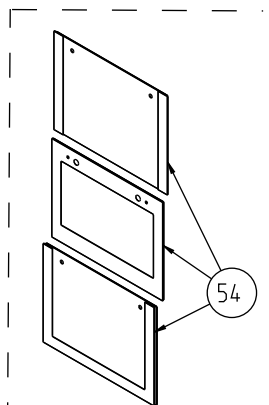


THERMOSTAT BULB HOLDER BRACKET

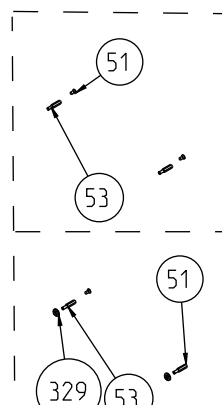




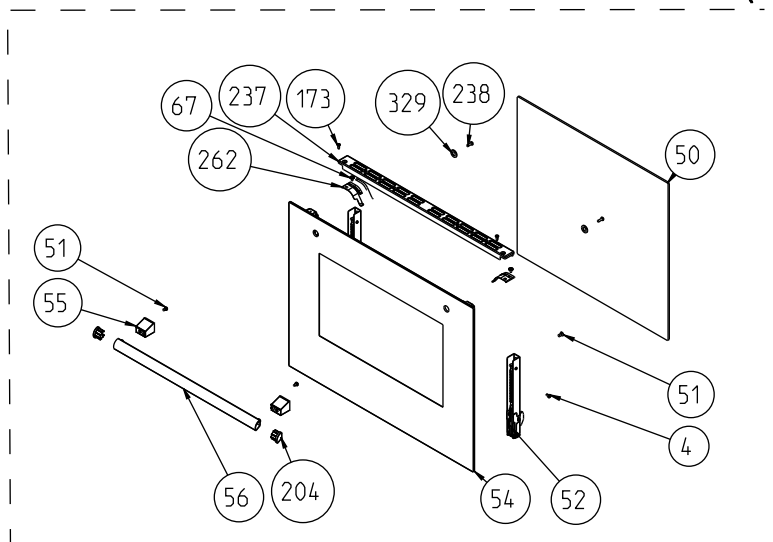
**OVEN DOOR ASSEMBLY (OUTER & INNER)
(POSITION NO 378)**



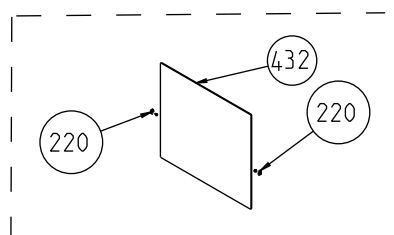
**OVEN DOOR OUTER
GLASS ASSEMBLY WITH
INOX ADD-ON TYPES
(OPTIONAL)**



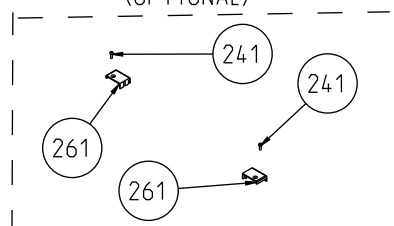
**HANDLE ASSEMBLY
GROUP
(POSITION NO 49)
(OPTIONAL)**



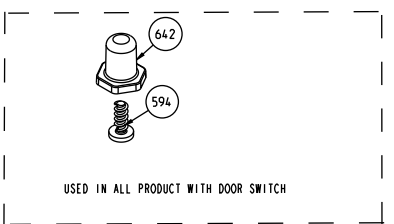
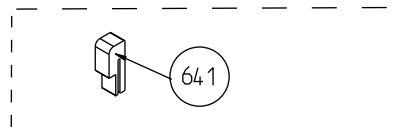
**FLAT OVEN DOOR WITH FULL GLASS STRUCTURE (POSITION NO 377)
(OPTIONAL)**



**INTERVAL GLASS
(OPTIONAL)**

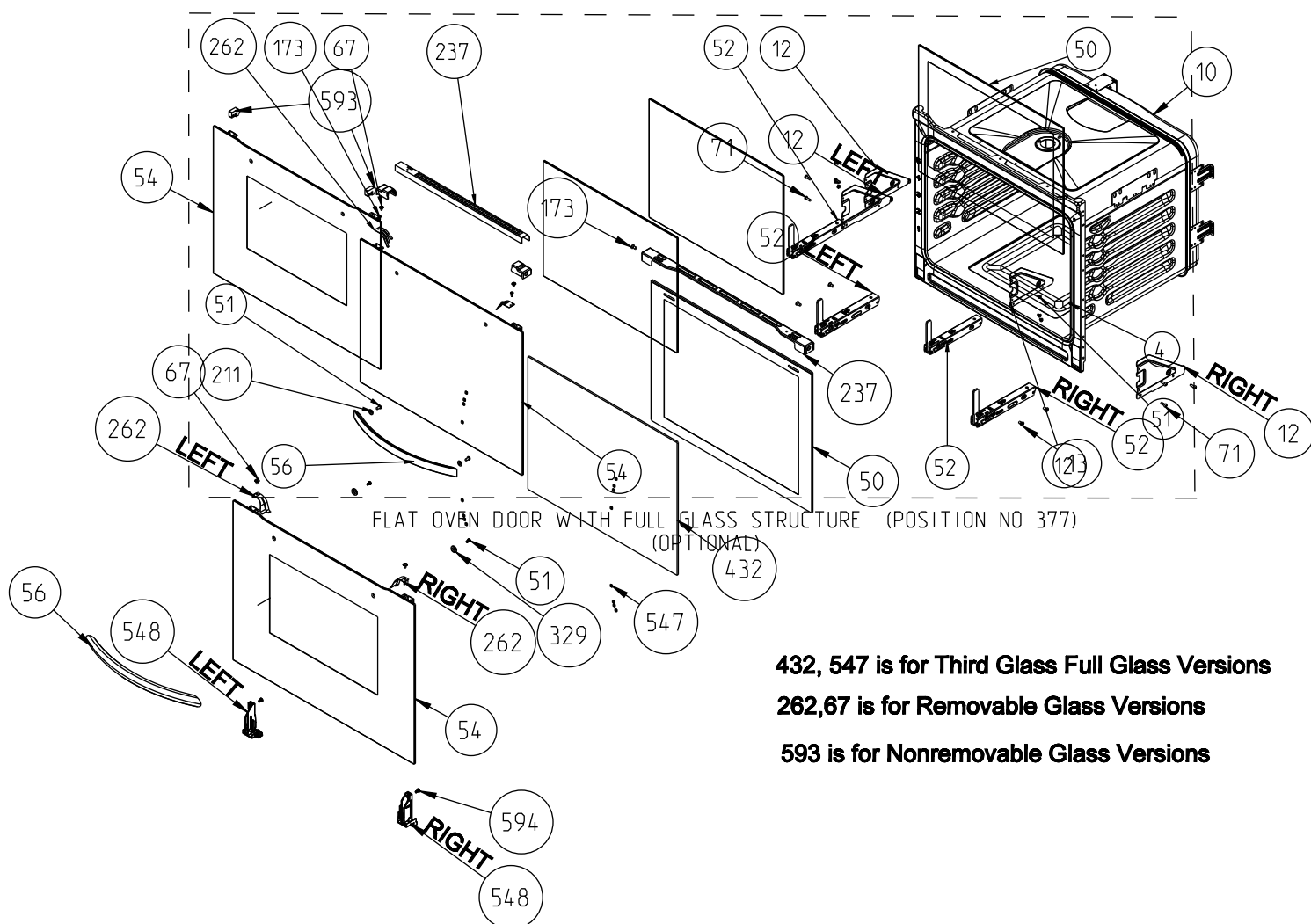


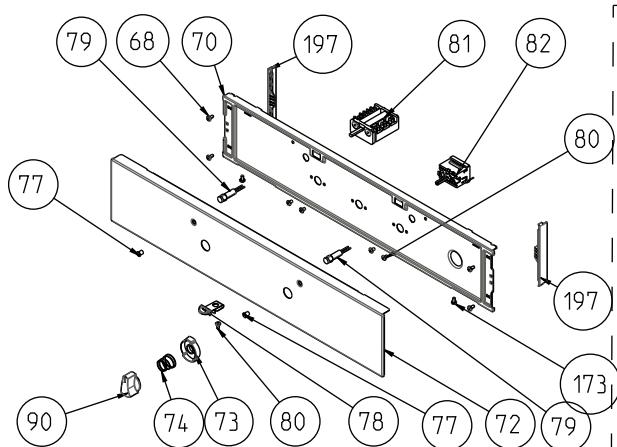
**OVEN DOOR TOP PANEL PARTS
(OPTIONAL)**



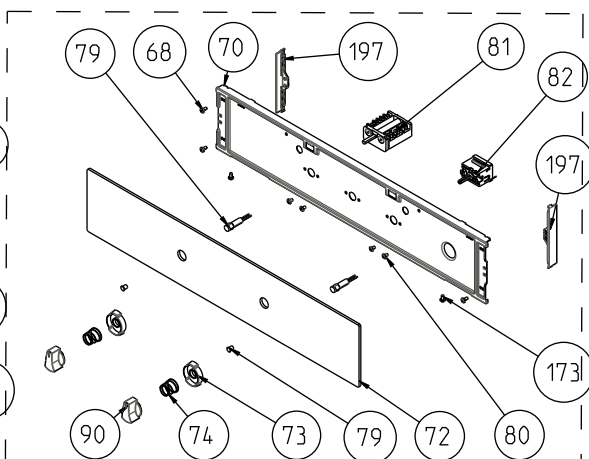
USED IN ALL PRODUCT WITH DOOR SWITCH

BUILT-IN OVEN FULL GLASS OVEN DOOR

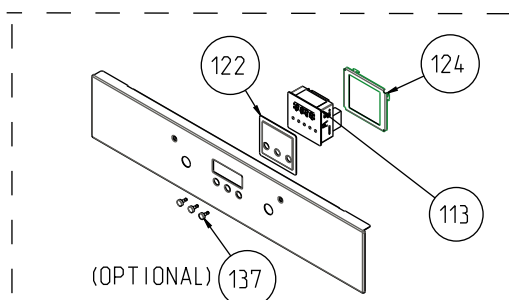




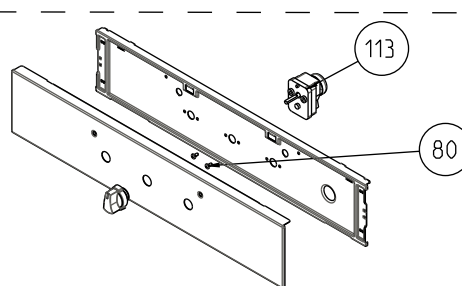
METAL CONTROL PANEL ASSEMBLY



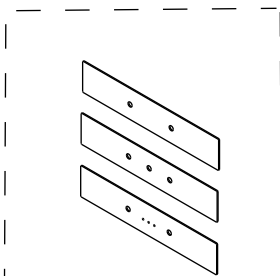
GLASS CONTROL PANEL ASSEMBLY (OPTIONAL)



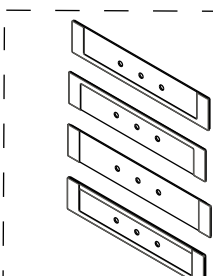
DIGITAL TIMER (OPTIONAL)



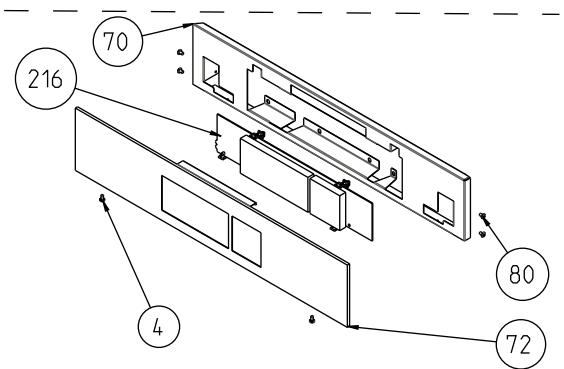
MECHANIC TIMER (OPTIONAL)



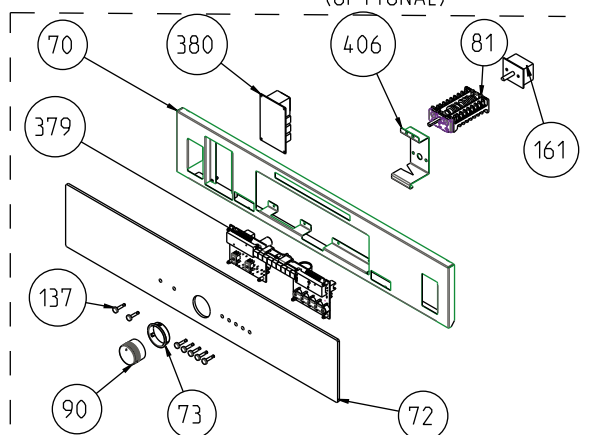
GLASS CONTROL PANELS (OPTIONAL)



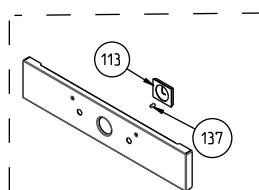
GLASS CONTROL PANELS WITH INOX ADD-ONS (OPTIONAL)



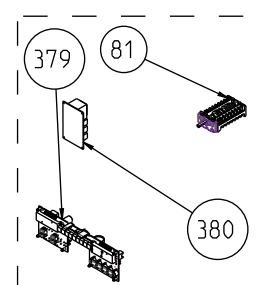
TOUCH CONTROLLED GLASS CONTROL PANEL ASSEMBLY (OPTIONAL)



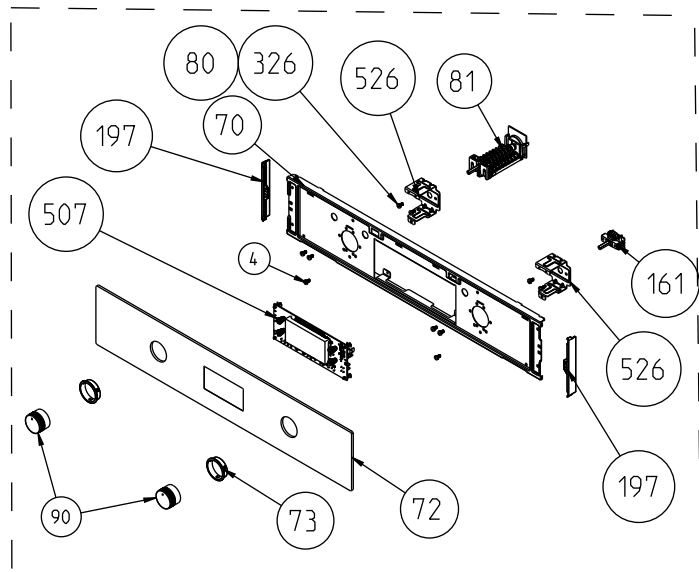
ELECTRONIC TIMERED GLASS CONTROL PANEL ASSEMBLY (OPTIONAL)



ANALOG TIMER (OPTIONAL)

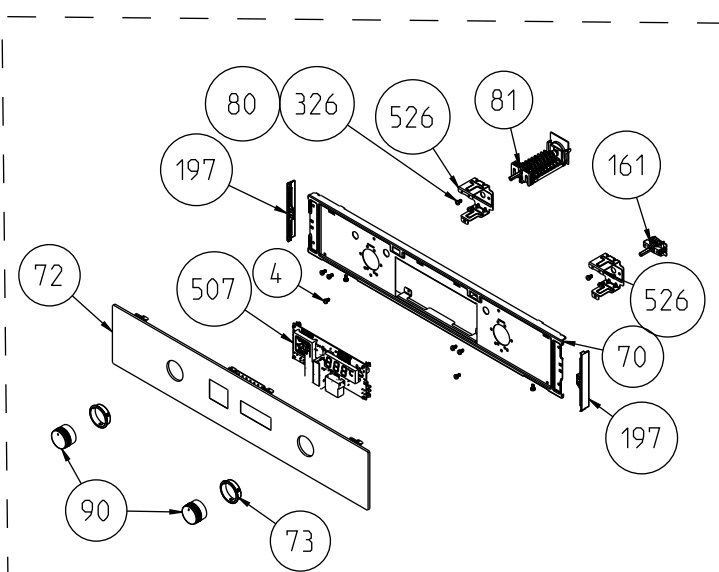


OVEN ELECTRONIC CONTROL GROUP (POSITION NO 381)



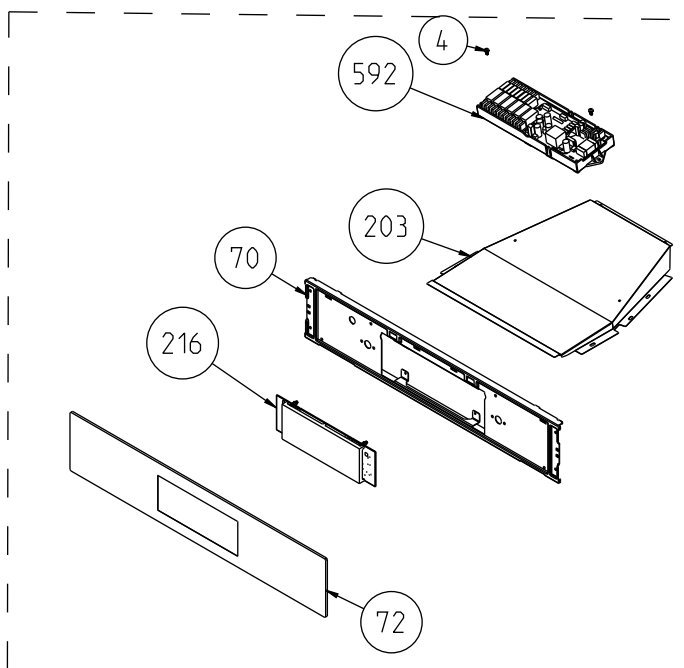
NOTE: The screws shown by the number 326 is used in transparent pipo knobs.

VISIO TOUCH TIMERED GLASS CONTROL PANEL ASSEMBLY (OPTIONAL)

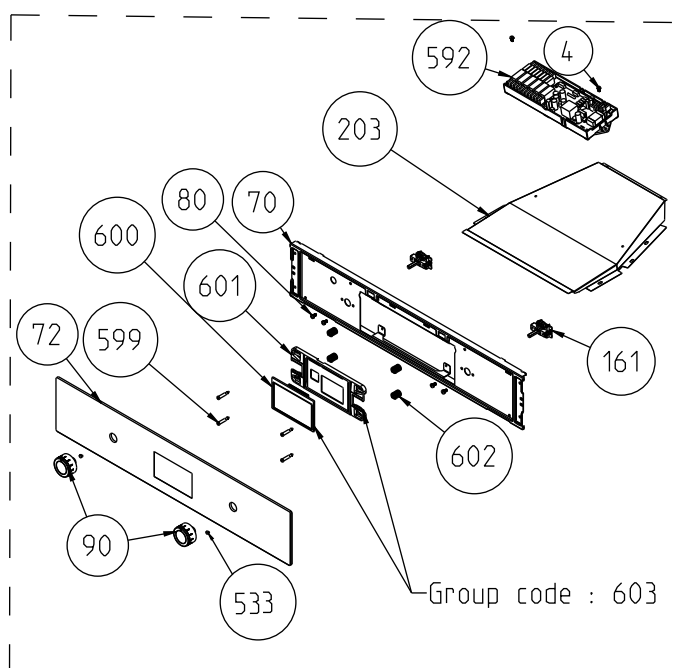


NOTE: The screws shown by the number 326 is used in transparent pipo knobs.

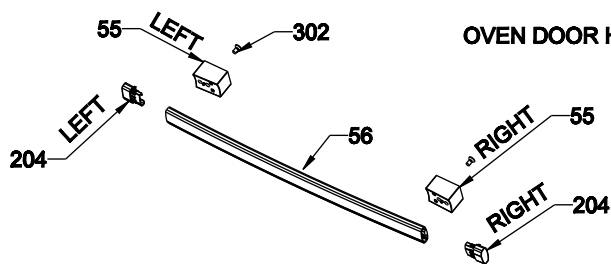
VISIO DISPLAY TIMERED GLASS CONTROL PANEL ASSEMBLY (OPTIONAL)



FULL TOUCH GLASS CONTROL PANEL ASSEMBLY (OPTIONAL)

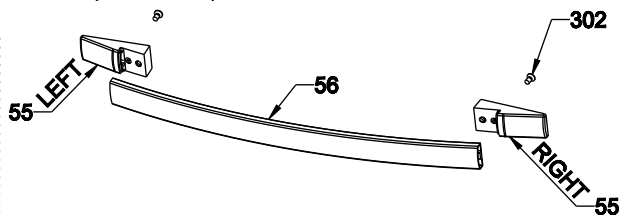


LCD SMART GLASS CONTROL PANEL ASSEMBLY (OPTIONAL)

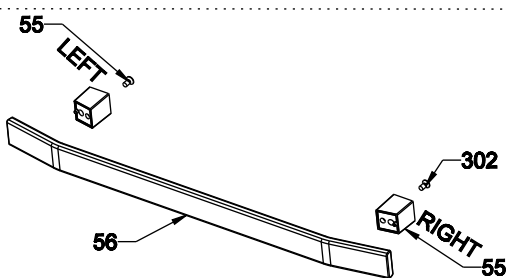


CURVED QUADRANGLE

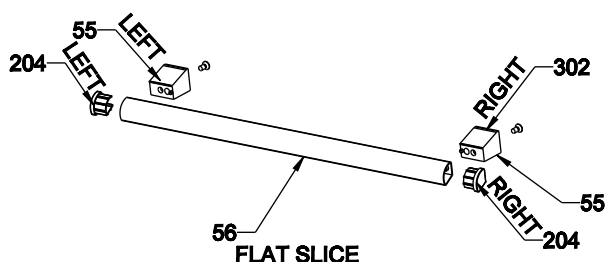
OVEN DOOR HANDLES (OPTIONAL)



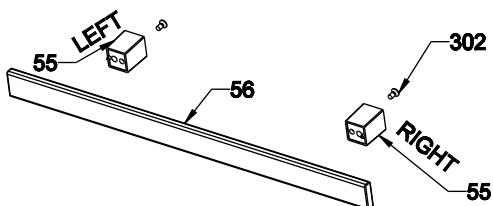
ARC QUADRANGLE



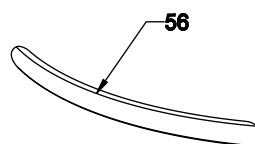
3D QUADRANGLE



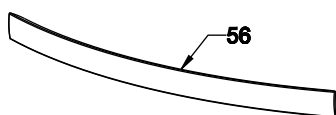
FLAT SLICE



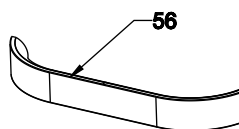
FLAT QUADRANGLE



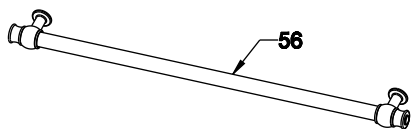
ELLIPSE ARC



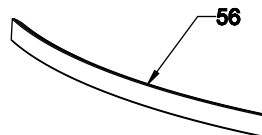
D PROFILE ARC, ELECTROLUX



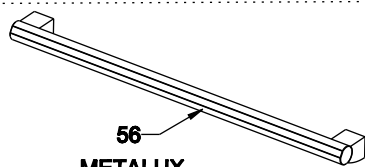
BOW



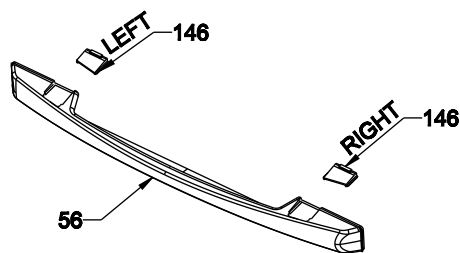
RUSTIK RISUS



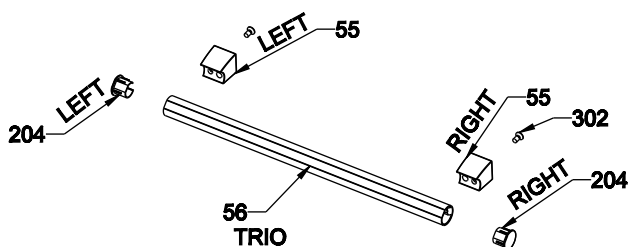
D PROFILE ARC



METALUX



HANDLE WITHOUT FAN



TRIO